



Description & Features:

- An all-purpose, economical thermometer with a vertical sensing tube and case
- Separable thermowell
- Impact resistant polypropylene case
- Red liquid-in glass
- Dual scale (°F & °C)
- Back or bottom connected
- ½" NPT process connection
- 1 year warranty

Applications:

- Hot water lines, boilers, heating, ventilation and air conditioning

Specifications	
Scale	Aluminum, painted white with black markings
Case	Black polypropylene
Lens	Glass
Tube	Glass, cushioned
Liquid Filling	Kerosene, tinted red
Stem	Brass
Swivel Nut	Brass
Thermowell	Brass ½" NPT standard
Operating Pressure	Maximum 710 psi (50 kg/cm ²)
Ambient Temperature	-40°F to 122°F (-40°C to 50°C)
Process Temperature	-40°F to 400°F (-40°C to 200°C)
Accuracy	±2% of full scale
Enclosure Rating	IP54

Order Codes (products in bold are normally in stock)

Ranges	Straight	Angle
-40°F to 110°F & -40°C to 40°C	TAS130	TAS140
20°F to 180°F & -5°C to 80°C	TAS131	TAS141
30°F to 240°F & 0°C to 115°C	TAS132	TAS150
30°F to 300°F & 0°C to 150°C	TAS134	TAS143
50°F to 400°F & 10°C to 200°C	TAS133	TAS142

Thermowell

Connection	Material	Code
1/2" NPT - Standard (Included with thermometer)	Brass	TAS62
1/2" NPT - Optional	304 SS	TAS62-1
3/4" NPT - Optional	Brass	TAS64
3/4" NPT - Optional	304 SS	TAS64-1

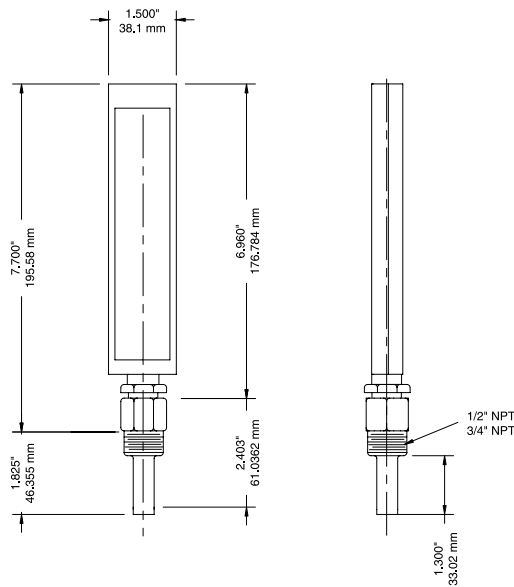
Note: 3/4" NPT connection available upon request

304 SS thermowell available upon request

Plastic lens available upon request

Other ranges and connection sizes available upon request

Straight



Angled

