



Description & Features:

- Allow for easy installation and replacement of bi-metallic dial thermometers without draining the process
- 1 year warranty

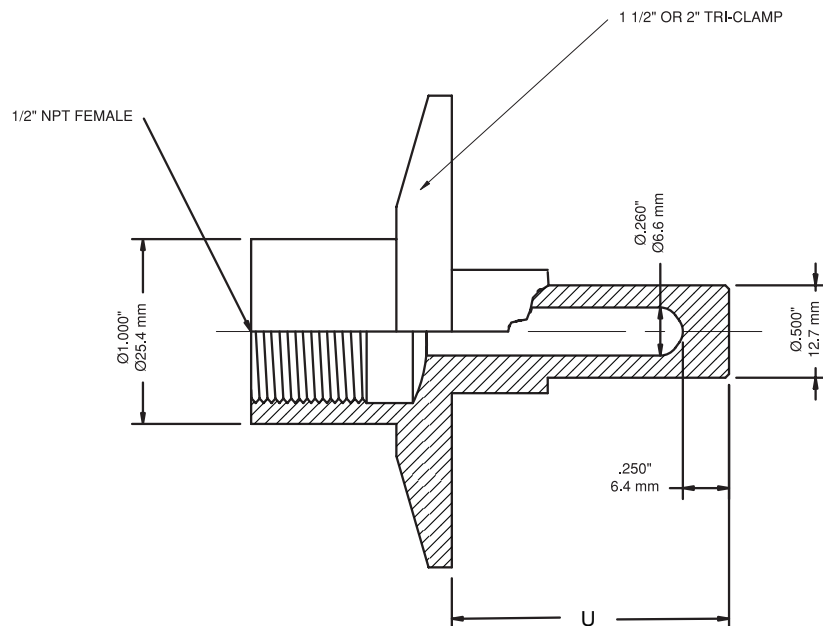
Applications:

- Designed specifically for sanitary requirements of the food and dairy industry

Specifications	
Material	316 SS
Connection	1.5" (40mm) or 2" (50mm) Tri-Clamp®
Thermometer Connection	1/2" NPT
Bore	0.260" (6.6mm) standard
Other	Lengths fit all standard Bi-Metal Thermometers

Order Codes

Tri-Clamp® connection	Stem Length	U - Dimensions	Code
1.5" (40mm)	2.5" (63mm)	1.5"	TSN15SANI2
	4" (100mm)	3"	TSN15SANI4
	6" (150mm)	5"	TSN15SANI6
	9" (225mm)	8"	TSN15SANI9
2" (50mm)	2.5" (63mm)	1.5"	TSN2SANI2
	4" (100mm)	3"	TSN2SANI4
	6" (150mm)	5"	TSN2SANI6
	9" (225mm)	8"	TSN2SANI9



Tri-Clamp® is a registered trademark of Tri-Clover, Inc.