

LIQUID DRAINERS

WLD1900 Series

Float Type Liquid Drain Trap

Watson McDaniel reserves the right to change the designs and/or materials of its products without notice.
©2006 Watson McDaniel Company

Model	WLD1900
Sizes	3/4", 1", 1 1/4", 1 1/2", 2"
Connections	NPT
Body Material	Cast Iron
PMO Max. Operating Pressure	250 PSIG
TMO Max. Operating Temperature	450°F
PMA Max. Allowable Pressure	250 PSIG up to 450°F
TMA Max. Allowable Temperature	450°F @ 250 PSIG



WLD1900
3/4" & 1"



WLD1900
2"



WLD1900
1-1/4" & 1-1/2"

TYPICAL APPLICATION

The WLD1900 Series is used in applications where immediate and continuous discharge of liquid is required. Typically used in process applications for draining condensate from air or other gases.

HOW IT WORKS

This liquid drainer has a float-operated valve that gives the trap a modulating flow characteristic. The amount of liquid flowing into the drainer is sensed by the float which positions the main valve to discharge the liquid at the same rate as it is received.

FEATURES

- In-line repairable
- All stainless steel internals
- Hardened valve seat for longer service life
- Cast Iron body

SAMPLE SPECIFICATION

The liquid drain trap shall be float operated with a cast iron body; all stainless steel internals and a hardened valve seat. The unit shall be in-line repairable and equipped with a FNPT threaded connection for the use of a balance line.

INSTALLATION

The installation should include isolation valves to facilitate maintenance and an in-line strainer. The trap must be level and upright for the float mechanism to operate. Trap must be sized and properly located in the system.

MAINTENANCE

Close isolation valves prior to any maintenance. All working components can be replaced with the drain trap remaining in the line. Repair kits include float, valve seat & disc and gaskets. For full maintenance details see Installation and Maintenance Manual.

MATERIALS

Body	Cast Iron
Cover	Cast Iron
Gasket	Garlock 3400
Cover Screws	Stainless Steel, Gr 5
Float	Stainless Steel, AISI 304
Internals	Stainless Steel, 300 Series
Valve Seat	Stainless Steel, 17-4 PH
Valve Disc	Stainless Steel, AISI 420F

HOW TO ORDER

Specify model, pipe size and maximum working pressure. Choose a pressure that is greater than the maximum the trap will see in service. See capacity chart.

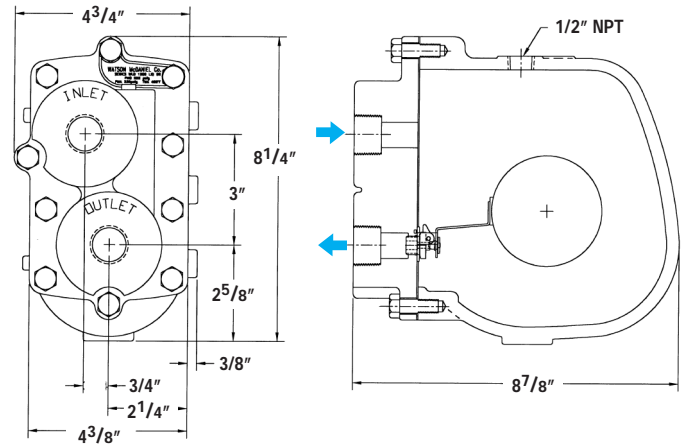
LIQUID DRAINERS

WLD1900 Series

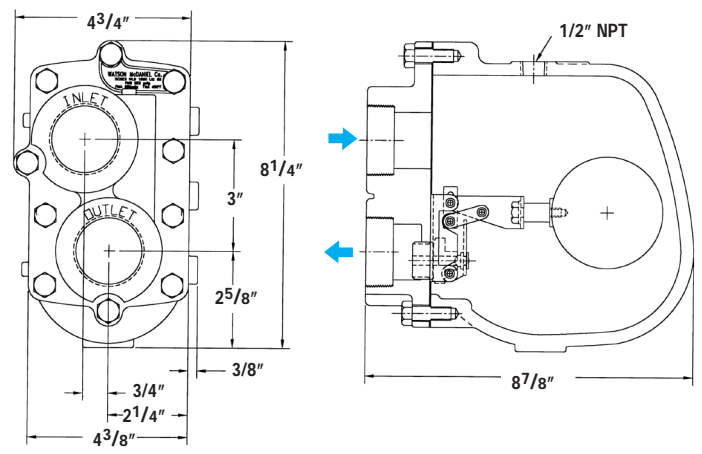
Float Type Liquid Drain Trap

DIMENSIONS – inches/pounds

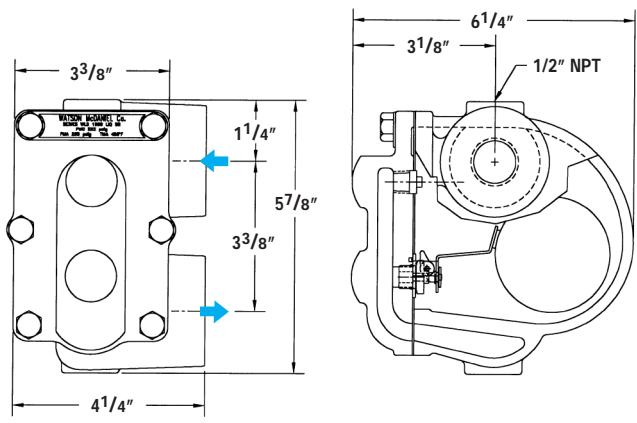
Drawing	Model	Size	PMO PSIG	Weight (lbs)
A	WLD1913-015	3/4"	15	9
A	WLD1914-015	1"	15	9
A	WLD1915-015	1 1/4"	15	9
C	WLD1916-015	1 1/2"	15	21
D	WLD1917-015	2"	15	53
A	WLD1913-030	3/4"	30	9
A	WLD1914-030	1"	30	9
A	WLD1915-030	1 1/4"	30	9
C	WLD1916-030	1 1/2"	30	21
D	WLD1917-030	2"	30	53
A	WLD1913-090	3/4"	90	9
A	WLD1914-090	1"	90	9
C	WLD1915-090	1 1/4"	90	21
C	WLD1916-090	1 1/2"	90	21
D	WLD1917-090	2"	90	53
A	WLD1913-150	3/4"	150	9
A	WLD1914-150	1"	150	9
C	WLD1915-150	1 1/4"	150	21
C	WLD1916-150	1 1/2"	150	21
D	WLD1917-150	2"	150	53
B	WLD1913-200	3/4"	200	20
B	WLD1914-200	1"	200	20
C	WLD1915-200	1 1/4"	200	21
C	WLD1916-200	1 1/2"	200	21
D	WLD1917-200	2"	200	53
B	WLD1913-250	3/4"	250	20
B	WLD1914-250	1"	250	20
C	WLD1915-250	1 1/4"	250	21
C	WLD1916-250	1 1/2"	250	21
D	WLD1917-250	2"	250	53



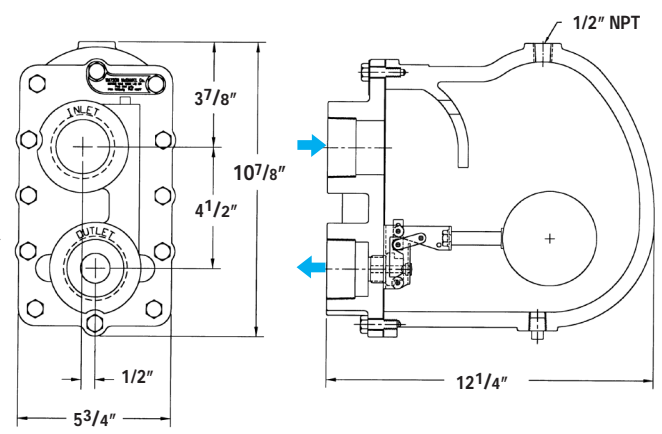
DRAWING - B



DRAWING - C



DRAWING - A



DRAWING - D

LIQUID DRAINERS

LIQUID DRAINERS

WLD1900 Series

Float Type Liquid Drain Trap

Watson McDaniel reserves the right to change the designs and/or materials of its products without notice.
©2006 Watson McDaniel Company

COLD WATER CAPACITIES – (lbs/hr)

Model	Size	PMO PSI	Orifice Size	Differential Pressure (PSI)																
				1	2	5	10	15	20	30	40	50	75	100	125	150	175	200	225	250
WLD1913-015	3/4"	15	.250"	910	1260	1940	2690	3260												
WLD1914-015	1"	15	.250"	910	1260	1940	2690	3260												
WLD1915-015	1 1/4"	15	.312"	1130	1570	2420	3360	4070												
WLD1916-015	1 1/2"	15	.500"	2400	3330	5140	7140	8650												
WLD1917-015	2"	15	.625"	3000	4170	6430	8920	10810												
WLD1913-030	3/4"	30	.228"	830	1150	1770	2450	2970	3410	4130										
WLD1914-030	1"	30	.228"	830	1150	1770	2450	2970	3410	4130										
WLD1915-030	1 1/4"	30	.228"	830	1150	1770	2450	2970	3410	4130										
WLD1916-030	1 1/2"	30	.390"	2200	3060	4710	6540	7930	9080	11000										
WLD1917-030	2"	30	.500"	2400	3330	5140	7140	8650	9910	12000										
WLD1913-090	3/4"	90	.166"	260	360	550	770	930	1060	1290	1480	1640	1990							
WLD1914-090	1"	90	.166"	260	360	550	770	930	1060	1290	1480	1640	1990							
WLD1915-090	1 1/4"	90	.312"	1130	1570	2420	3360	4070	4660	5650	6470	7190	8710							
WLD1916-090	1 1/2"	90	.312"	1130	1570	2420	3360	4070	4660	5650	6470	7190	8710							
WLD1917-090	2"	90	.422"	1350	1870	2890	4010	4860	5570	6740	7730	8590	10400							
WLD1913-150	3/4"	150	.128"	150	210	330	450	550	630	760	870	970	1170	1340	1490	1590				
WLD1914-150	1"	150	.128"	150	210	330	450	550	630	760	870	970	1170	1340	1490	1590				
WLD1915-150	1 1/4"	150	.250"	910	1260	1940	2690	3260	3740	4530	5190	5760	6980	8000	8890	9800				
WLD1916-150	1 1/2"	150	.250"	910	1260	1940	2690	3260	3740	4530	5190	5760	6980	8000	8890	9800				
WLD1917-150	2"	150	.332"	1200	1670	2580	3580	4330	4960	6010	6890	7650	9270	10620	11810	12500				
WLD1913-200	3/4"	200	.166"	260	360	550	770	930	1060	1290	1480	1640	1990	2280	2530	2760	2970	3150		
WLD1914-200	1"	200	.166"	260	360	550	770	930	1060	1290	1480	1640	1990	2280	2530	2760	2970	3150		
WLD1915-200	1 1/4"	200	.250"	910	1260	1940	2690	3260	3740	4530	5190	5760	6980	8000	8890	9690	10420	11100		
WLD1916-200	1 1/2"	200	.250"	910	1260	1940	2690	3260	3740	4530	5190	5760	6980	8000	8890	9690	10420	11100		
WLD1917-200	2"	200	.281"	1960	2720	4200	5830	7060	8090	9800	11230	12480	15120	17320	19250	20980	22570	23800		
WLD1913-250	3/4"	250	.128"	150	210	330	450	550	630	760	870	970	1170	1340	1490	1630	1750	1860	1970	2070
WLD1914-250	1"	250	.128"	150	210	330	450	550	630	760	870	970	1170	1340	1490	1630	1750	1860	1970	2070
WLD1915-250	1 1/4"	250	.203"	600	830	1280	1770	2150	2460	2980	3420	3800	4600	5270	5860	6390	6870	7320	7740	8140
WLD1916-250	1 1/2"	250	.203"	600	830	1280	1770	2150	2460	2980	3420	3800	4600	5270	5860	6390	6870	7320	7740	8140
WLD1917-250	2"	250	.250"	910	1260	1940	2690	3260	3740	4530	5190	5760	6980	8000	8890	9690	10420	11100	11740	12340

LIQUID DRAINERS