

**Description & Features:**

- Incorporates a sintered, porous 316 stainless steel snubbing element with a large surface area to ensure long term effectiveness
- Available in the three standard viscosity classifications of heavy oil, water and air
- Brass or stainless steel housings can be specified depending upon pressure media and operating pressure
- CRN registered
- 1 year warranty

**Applications:**

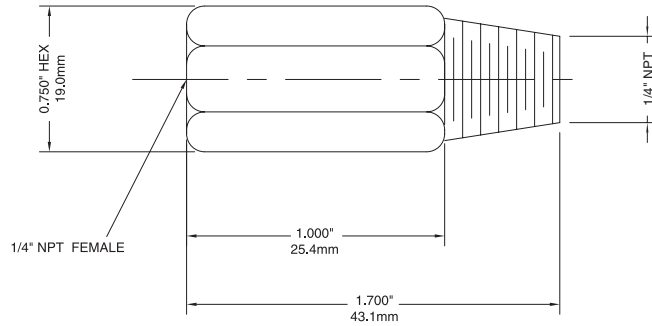
- To significantly lessen the damaging effects of pulsation on gauges, transducers, transmitters, manometers and pressure switches

Specifications	SS	Brass
<b>Operating Temperature</b>	-320°F to 1,500°F (-195°C to 815°C)	-65°F to 650°F (-53°C to 343°C)
<b>Operating Pressure</b>	Maximum 20,000 psi (137,900 kPa)	Maximum 10,000 psi (68,950 kPa)
<b>Burst Pressure</b>	60,000 psi (413,700 kPa)	30,000 psi (206,850 kPa)
<b>Housing</b>	316 SS	Brass
<b>Snubbing Element</b>	Sintered, porous type 316 SS	Sintered, porous type 316 SS
<b>Retainer</b>	300 series SS	300 series SS

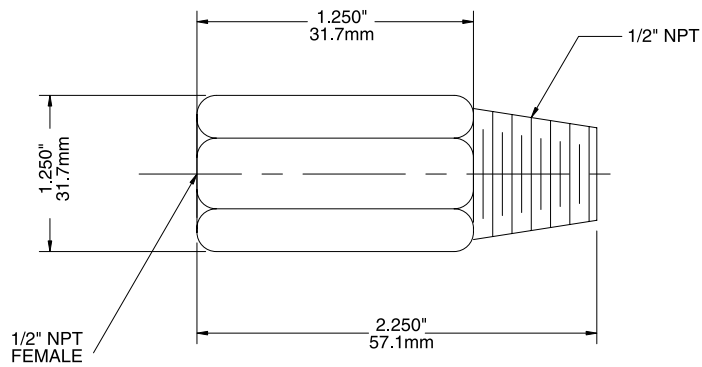
**Order Codes (products in bold are normally in stock)**

Model	Heavy Oil	Water	Air
1/4" Brass	<b>SSN517</b>	<b>SSN515</b>	<b>SSN516</b>
1/4" SS	<b>SSN520</b>	<b>SSN518</b>	<b>SSN519</b>
1/2" Brass	SSN514	<b>SSN512</b>	SSN513
1/2" SS	<b>SSN531</b>	<b>SSN529</b>	<b>SSN530</b>

## 1/4" Snubber



## 1/2" Snubber



## Series Number (for custom, non-standard product)

