



Description & Features:

- Designed for use with all 9" (228mm) industrial thermometers to create a "sealed system"
- Allows the easy replacement of thermometers without the need to shut down or drain the system
- CAN/CGSB-14.4-M88 Compliant
- CRN registered
- 1 year warranty

Applications:

- HVAC, pipes, chill water and hot water lines

Specifications	
Material	Brass, AISI 304 SS, AISI 316 SS
Bore Diameter	7/16" tapered
Form	Stepped standard, straight available
Thermometer Connection	1 1/4" UNF
Process Connection	3/4" NPT male standard

Order Codes (products in bold are normally in stock)

Stem Length	Overall Length	Material	Insertion Length	Lagging Extension	1/2" NPT Connection	3/4" NPT Connection
					Code	
3.5" Without Lagging	4.25" (108mm)	Brass	2.5" (63mm)	-	-	TIW01
	4.25" (108mm)	304 SS	2.5" (63mm)	-	-	TIW01-1
	4.25" (108mm)	316 SS	2.5" (63mm)	-	-	TIW01-2
3.5" With Lagging	4.25" (108mm)	Brass	1 3/4" (44mm)	1" (25mm)	TIW02	TIW03
	4.25" (108mm)	304 SS	1 3/4" (44mm)	1" (25mm)	TIW02-1	TIW03-1
	4.25" (108mm)	316 SS	1 3/4" (44mm)	1" (25mm)	TIW02-2	TIW03-2
6" Without Lagging	6 3/4" (172mm)	Brass	5" (127mm)	-	-	TIW04
	6 3/4" (172mm)	304 SS	5" (127mm)	-	-	TIW04-1
	6 3/4" (172mm)	316 SS	5" (127mm)	-	-	TIW04-2
6" With Lagging	6 3/4" (172mm)	Brass	2.5" (63mm)	2.5" (63mm)	-	TIW07
	6 3/4" (172mm)	304 SS	2.5" (63mm)	2.5" (63mm)	-	TIW07-1
	6 3/4" (172mm)	316 SS	2.5" (63mm)	2.5" (63mm)	-	TIW07-2

Option suffix for above order codes only:

W61 = Brass cap and chain (1.25" UNF)

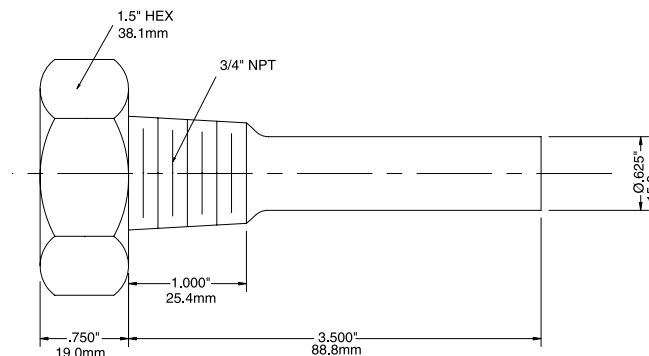
W61-1 = SS cap and chain (1.25" UNF)

Other materials such as Monel®, Inconel®, Hastelloy® C and Titanium are available upon request

Longer thermowells available upon request

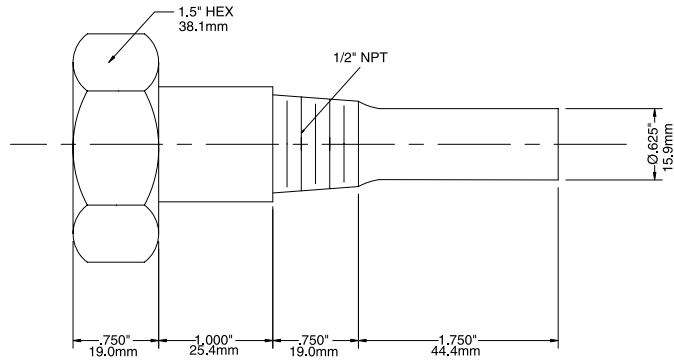
Other thread sizes available upon request

3.5" Stem Without Lagging

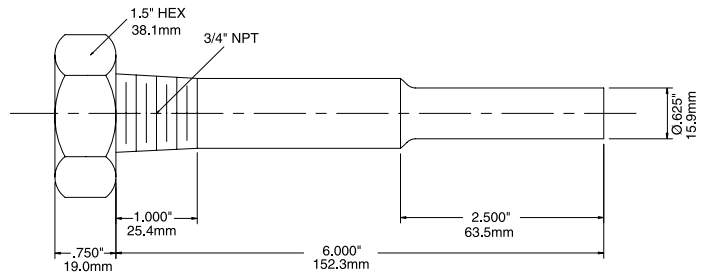


Hastelloy® is a registered trademark of Haynes International, Inc.
 Inconel® is a registered trademark of Special Metals Corporation
 Monel® is a registered trademark of Inco Alloys International

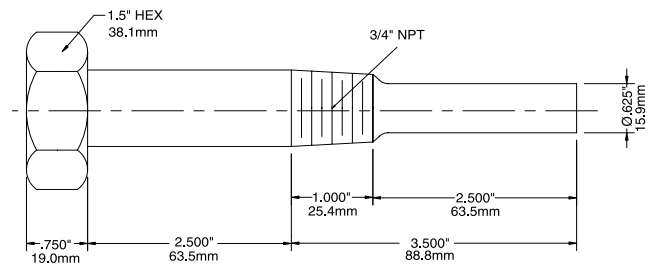
3.5" Stem With Lagging



6" Stem Without Lagging



6" Stem With Lagging



Series Number (for custom, non-standard product)

	T	I	W	-		-				-	
SERIES											
MATERIAL											
304SS							2				
316SS							5				
Brass							B				
STEM LENGTH											
3.5"								0	3	5	
6"								0	6	0	
Others (in inches X10)								X	X	X	
PROCESS THREAD SIZE											
3/4"										3	
1"										1	
Special										Z	
PROCESS THREAD TYPE											
NPT											N
BSP											B
BSPT											T