



### Description & Features:

- Most economical pressure gauge used for panels
- 1.5" (40mm) to 2.5" (63mm) dial sizes
- Black steel case
- Brass wetted parts
- Stainless steel crimp-on bezel
- Stud-style U-Clamp design for secure panel mounting
- $\pm 3-2-3$  accuracy
- Dual scale (psi/kPa)
- CRN registered
- 1 year warranty

### Applications:

- For measuring gases, air, water and oils when equipment or processes require an economical panel mounted gauge

| Specifications              |  |
|-----------------------------|--|
| Dial                        | 1.5" (40mm), 2" (50mm), 2.5" (63mm) white aluminum with black and red markings |
| Case                        | Steel, painted black   |
| Lens                        | Plastic  |
| Ring                        | SS   |
| Socket                      | Brass  |
| Connection                  | 1/8" NPT or 1/4" NPT standard  |
| Bourdon Tube                | Phosphor bronze  |
| Movement                    | Brass  |
| Pointer                     | Steel, painted black   |
| Welding                     | Silver alloy   |
| Over-Pressure Limit         | 25% of full scale value  |
| Working Pressure            | Maximum 75% of full scale value  |
| Ambient/Process Temperature | -40°F to 150°F (-40°C to 65°C)   |
| Accuracy                    | $\pm 3-2-3\%$ ANSI/ASME Grade B  |
| Enclosure Rating            | IP52   |

### Order Codes (products in bold are normally in stock)

| Dial Size          | 1.5" (40mm)      | 2" (50mm)        | 2" (50mm)        | 2.5" (63mm)      |
|--------------------|------------------|------------------|------------------|------------------|
| Connection         | 1/8" NPT         | 1/8" NPT         | 1/4" NPT         | 1/4" NPT         |
| 30" Hg. vacuum/kPa | <b>PEU1399UC</b> | <b>PEU1396UC</b> | <b>PEU1428UC</b> | <b>PEU1431UC</b> |
| 0 - 15 psi/kPa     | <b>PEU1398UC</b> | <b>PEU1397UC</b> | <b>PEU1429UC</b> | <b>PEU1436UC</b> |
| 0 - 30 psi/kPa     | <b>PEU1400UC</b> | <b>PEU1402UC</b> | <b>PEU1403UC</b> | <b>PEU1437UC</b> |
| 0 - 60 psi/kPa     | <b>PEU1401UC</b> | <b>PEU1404UC</b> | <b>PEU1405UC</b> | <b>PEU1438UC</b> |
| 0 - 100 psi/kPa    | <b>PEU1420UC</b> | <b>PEU1406UC</b> | <b>PEU1407UC</b> | <b>PEU1439UC</b> |
| 0 - 160 psi/kPa    | <b>PEU1421UC</b> | <b>PEU1408UC</b> | <b>PEU1409UC</b> | <b>PEU1440UC</b> |
| 0 - 200 psi/kPa    | <b>PEU1422UC</b> | <b>PEU1412UC</b> | <b>PEU1410UC</b> | <b>PEU1441UC</b> |
| 0 - 300 psi/kPa    | <b>PEU1423UC</b> | <b>PEU1413UC</b> | <b>PEU1411UC</b> | <b>PEU1442UC</b> |

Note: Other ranges and connection sizes available upon request

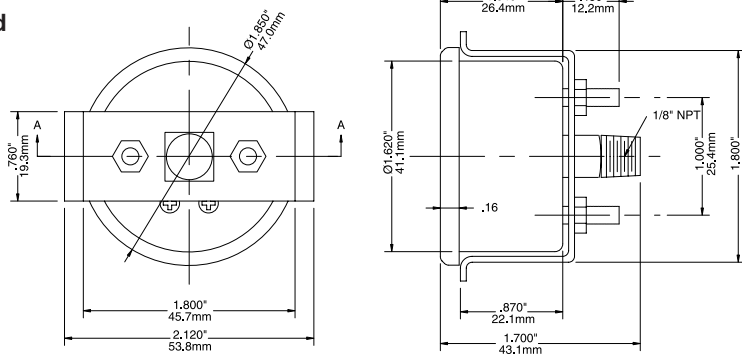
### 1.5" Panel Mounted

Panel cut-out

1.63"(42mm)

Outer diameter

1.84"(47mm)



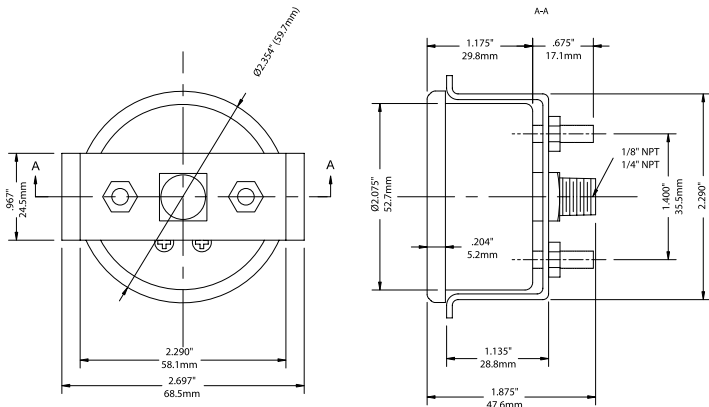
### 2" Panel Mounted

Panel cut-out

2.12"(54mm)

Outer diameter

2.29"(58mm)



### 2.5" Panel Mounted

Panel cut-out

2.44"(62mm)

Outer diameter

2.65"(67mm)

