

PST StabilizR™ Gauge



Description & Features:

- StabilizR™ dampened movement minimizes effects of pulsation and vibration without liquid filling (flutterless pointer)
- Restricted orifice
- Crimp-on bezel
- Brass internals
- Dual scale (psi/kPa)
- U-Clamps and front flanges for panel mounting
- CRN registered
- 3 year warranty

Applications:

- Ideal for pumps, compressors, hydraulic presses, machinery and motors that operate in harsh environments

Specifications	
Dial	2.5" (63mm) aluminum with red and black markings
Case	304 SS (dry)
Lens	Polycarbonate
Ring	304 SS (crimped on)
Socket	Brass
Connection	1/4" NPT with restricted orifice
Bourdon Tube	Bronze
Movement	Bronze with StabilizR™
Pointer	Anodized black aluminum
Over-Pressure Limit	15% of full scale
Gasket Material	Neoprene
Working Pressure	75% of full scale
Ambient/Process Temperature	-40°F to 150°F (-40°C to 65°C)
Accuracy	±1.5% of full scale
Enclosure Rating	IP65

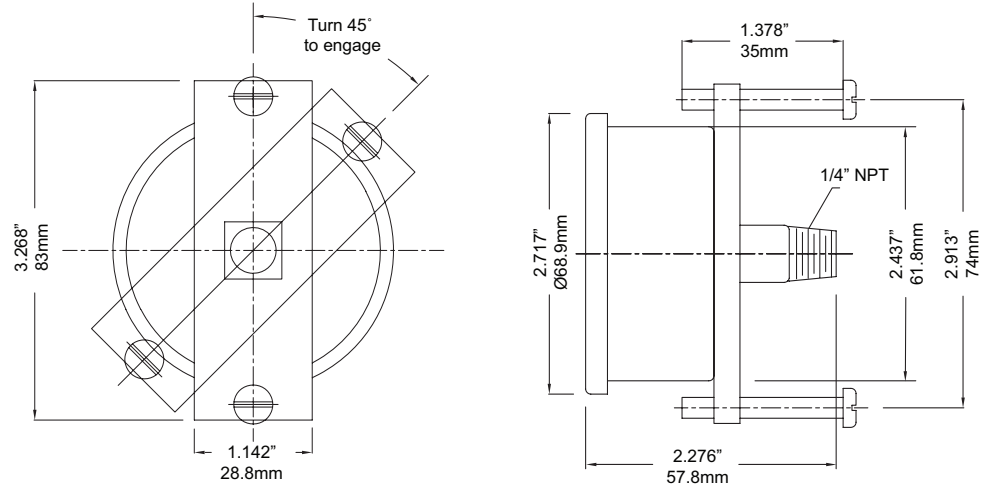
Option suffix for above order codes only:

- 25BF = 2.5" (63mm) back flange
- 25UC = U-Clamp for panel mounting
- 25BOOT = Protective black rubber boot
- 25FF = Flange for panel mounting

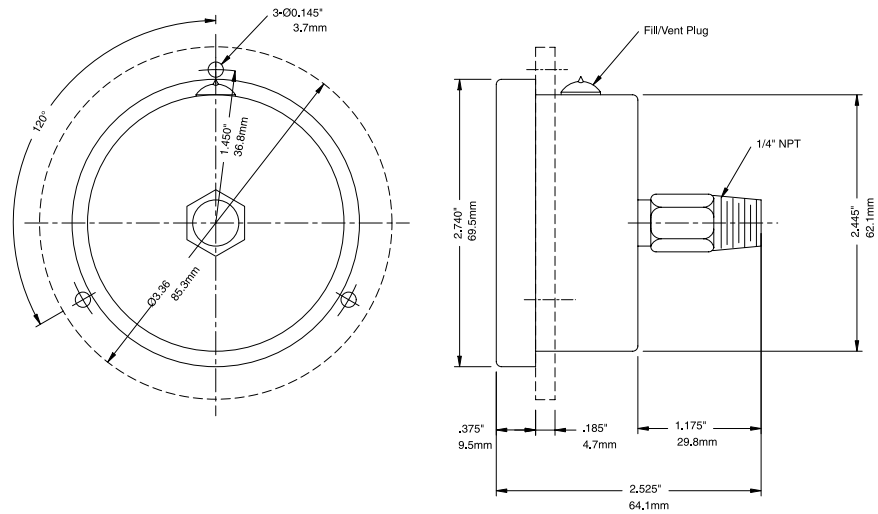
Order Codes (products in bold are normally in stock)

Dial Size	2.5 (63mm)	
	1/4" Bottom	1/4" Back (CB)
30" Hg Vacuum/kPa	PST801Z	PST900Z
30"-0-15 psi/kPa	PST790Z	PST890Z
30"-0-30 psi/kPa	PST798Z	PST898Z
30"-0-60 psi/kPa	PST799Z	PST899Z
30"-0-100 psi/kPa	PST791Z	PST891Z
30"-0-150 psi/kPa	PST792Z	PST892Z
30"-0-200 psi/kPa	PST794Z	PST894Z
30"-0-300 psi/kPa	PST795Z	PST895Z
0-15 psi/kPa	PST800Z	PST901Z
0-30 psi/kPa	PST802Z	PST902Z
0-60 psi/kPa	PST803Z	PST903Z
0-100 psi/kPa	PST804Z	PST904Z
0-160 psi/kPa	PST805Z	PST905Z
0-200 psi/kPa	PST806Z	PST906Z
0-300 psi/kPa	PST807Z	PST907Z
0-400 psi/kPa	PST817Z	PST917Z
0-600 psi/kPa	PST808Z	PST908Z
0-1,000 psi/kPa	PST809Z	PST909Z
0-1,500 psi/kPa	PST816Z	PST914Z
0-2,000 psi/kPa	PST810Z	PST910Z
0-3,000 psi/kPa	PST811Z	PST911Z
0-5,000 psi/kPa	PST812Z	PST912Z
0-6,000 psi/kPa	PST814Z	PST915Z
0-7,500 psi/kPa	PST818Z	PST918Z
0-10,000 psi/kPa	PST813Z	PST913Z

2.5" (63mm), Back Connection, U-Clamp



2.5" (63mm), Back Connection, Front Flange



2.5" (63mm), Back Flange Bottom

