



1. Dry
2. Liquid Filled

Description & Features:

- 2.5" (63mm) to 6" (150mm) durable gauges
- 2.5" (63mm) dial have a blue and red coloured case for easy identification
- Dual scale (psi/°F)
- Flutterless movement on the 2.5" (63mm)
- Chlorofluorocarbon (CFC) temperature scales (R-12, R-22 & R-502)
- Brass internals
- 1/4" NPT standard
- CRN registered
- 3 year warranty

Applications:

- Refrigeration equipment and refrigeration recovery equipment

Specifications	
Dial	2.5" (63mm), 4" (100mm), 6" (150mm): White aluminum 2.5" (63mm) liquid filled: Multicolored dial
Case	2.5" (63mm): Plastic, colour coded, blue for low pressure and red for high pressure 4" (100mm), 6" (150mm): Steel painted black
Lens	2.5" (63mm): Plexiglass, threaded (liquid filled: Polycarbonate lens) 4" (100mm), 6" (150mm): Glass 2.5" (63mm) liquid filled: Nylon/glass filled
Ring	2.5" (63mm) liquid filled SS, crimped 4" (100mm): Brass, polished 6" (150mm): Steel, painted black
Connection	1/8" NPT or 1/4" NPT standard
Restrictor Screw	Standard
Recalibrator Screw	Standard (2.5" (63mm) liquid filled has external recalibrator)
Bourdon Tube	2.5" (63mm): Phosphor bronze, vibration free (flutterless movement - dry only) 4" (100mm), 6" (150mm): Phosphor bronze
Pointer	Aluminum, anodized black 2.5" (63mm) liquid filled: Red aluminum, anodized
Welding	#50 tin solder
Over-Pressure Limit	25% of full scale value
Scale	psi/F (R-12/R-22/R-502)
Working Pressure	Maximum 75% of full scale value
Ambient/Process Temperature	2.5" (63mm), 4" (100mm), 6" (150mm): -40°F to 158°F (-40°C to 70°C) 2.5" (63mm) liquid filled: -13°F to 140°F (-25°C to 60°C)
Accuracy	2.5" (63mm): ±2% of full scale 4" (100mm), 6" (150mm): ±1% ANSI/ASME Grade 1A
Enclosure Rating	Dry: IP52 Liquid Filled: IP65

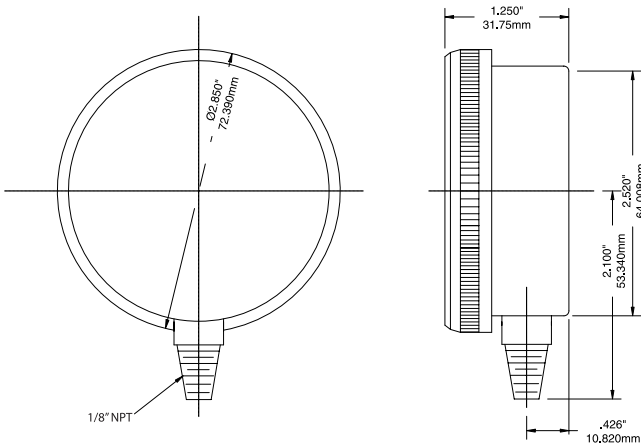
Freon® is a registered trademark of Dupont Corporation

Order Codes (products in bold are normally in stock)

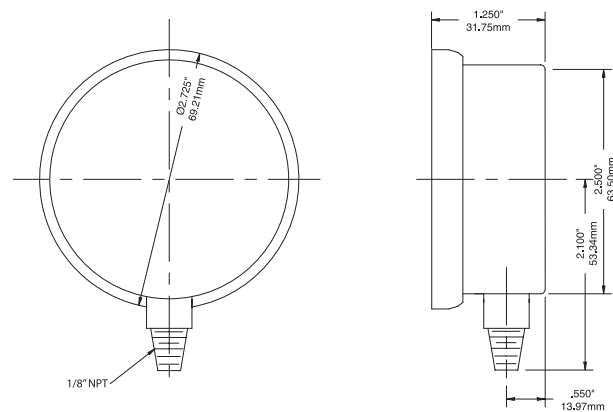
Dial Size	2.5" (63mm)			4" (100mm)		6" (150mm)	
Connection	1/8" NPT Bottom	1/8" NPT Back	1/8" NPT Bottom	1/4" NPT Bottom	1/4" NPT Back	1/4" NPT Bottom	1/4" NPT Back
Case	Plastic	Plastic	Plastic Liquid Filled	Steel	Steel	Steel	Steel
30"/0/120 psi (retard 250)	PFG1730	-	PFG1760	PFG1734	-	PFG1738	-
30"/0/300 psi	PFG1731	-	PFG1761	PFG1735	-	PFG1739	-
0-500 psi	PFG1732	-	PFG1762	PFG1736	-	PFG1740	-

Note: Other connection and ranges available upon request
Blister packaging available

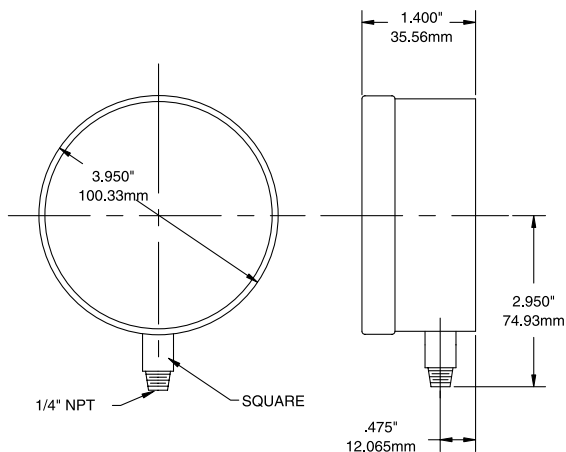
2.5" Bottom Connection



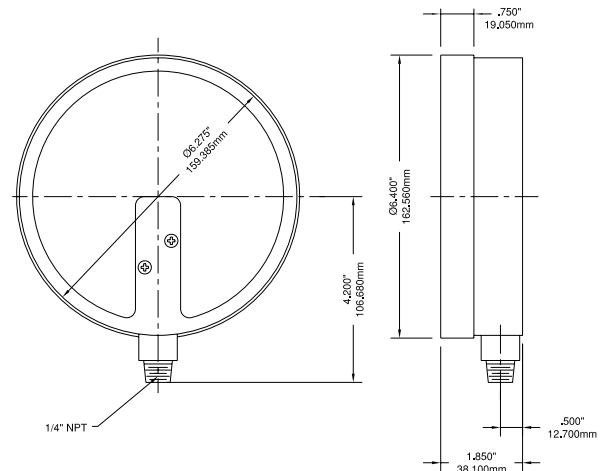
2.5" Bottom Connection Liquid Filled



4" Bottom Connection



6" Bottom Connection



Freon® is a registered trademark of Dupont Corporation