

Description & Features:

- An economical isolation valve for pressure gauges and transmitters
- CRN registered
- 1 year warranty

Applications:

- Provides flow control for non-corrosive applications

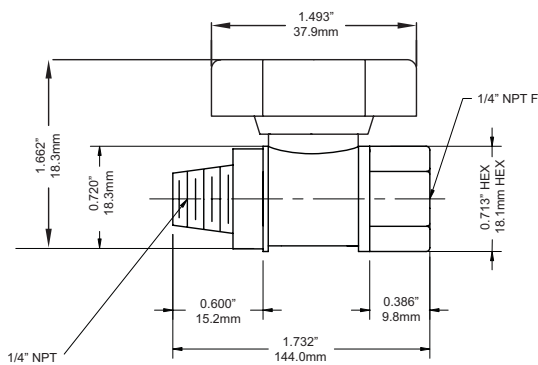
Specifications	
Body	#59-1 forged brass
Ball	SS
Gaskets	Teflon®
Handle	Steel, plated, plastic covered
Process Temperature	-9°F to 212°F (23°C to 100°C)
Maximum Operating Pressure	400 psi (2,758 kPa)
Connection	1/4" NPT Female x 1/4" NPT Male

Order Codes (products in bold are normally in stock)

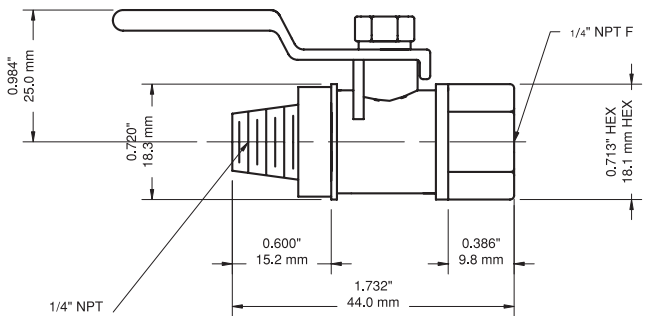
T-Handle	Lever Handle
SMV532	SMV500

Note: Other sizes and materials available upon request.

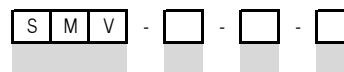
T-Handle Mini Ball Valve



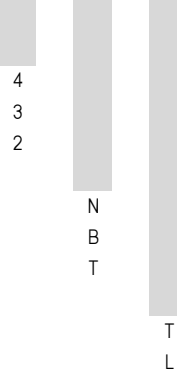
Lever Handle Mini Ball Valve



Series Number (for custom, non-standard product)



- SERIES**
- CONNECTION SIZE**
- 1/4"
 - 3/8"
 - 1/2"
- CONNECTION THREAD**
- NPT
 - BSP
 - BSPT
- HANDLE**
- T-Handle
 - Lever Handle



Teflon® is a registered trademark of Dupont Corporation