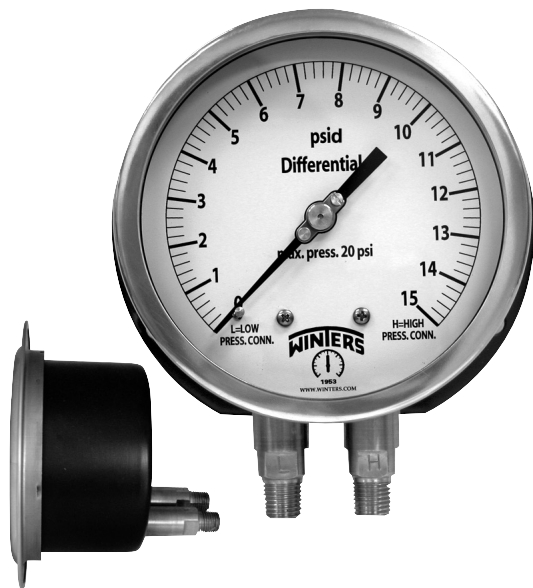


PDT Differential Gauge



Description & Features:

- Brass or stainless steel wetted parts
- Both conventional and balanced scale available
- CRN registered
- 5 year warranty

Applications:

- Single pointer to show difference from two pressure sources
- Typically used to measure pressure drops across a filter, pump or other equipment

Specifications	
Dial	4.5" (115mm), 6" (150mm) white aluminum with black markings
Case	Aluminum, painted black
Front Flange	4.5" (115mm): SS 6" (150mm): Aluminum
Back Flange	4.5" (115mm): Black steel 6" (150mm): Aluminum
Lens	Glass
Ring	4.5" (115mm): SS 6" (150mm): Aluminum
Socket	Brass or 316 SS as specified
Connection	1/4" NPT standard
Scale	PSID only
Bourdon Tube	Phosphor bronze or AISI 316 SS, independent, matched
Movement	Brass
Pointer	Aluminum (micrometer)
Welding	Tin/copper alloy for brass internals, TIG Argonarc for SS internals
Over-Pressure Limit	30% of full scale value
Working Pressure	Maximum 75% of full scale value
Ambient/Process Temperature	-40°F to 150°F (-40°C to 65°C)
Accuracy	±1% ANSI/ASME Grade 1A

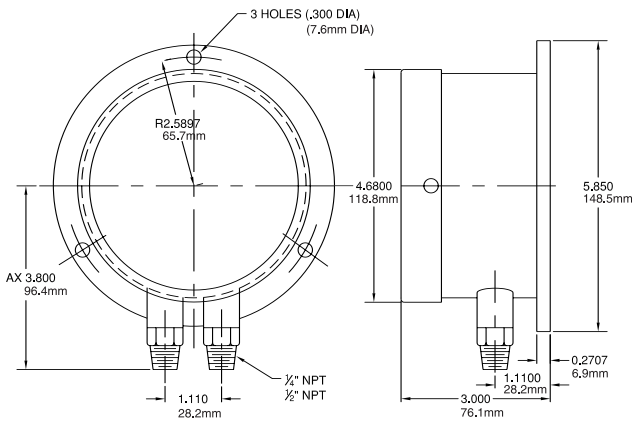
Note: Low Differential Pressure/High Static Pressure configurations are also available

Order Codes

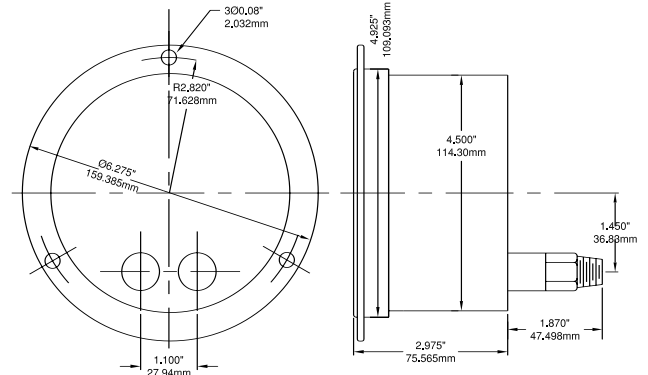
Max. Static Pressure	Dial Size	4.5" (115mm)				6" (150mm)			
	Socket, Tube	Brass	Brass	SS	SS	Brass	Brass	SS	SS
	Connection	1/4" NPT Bottom	1/4" NPT Back (LB)	1/4" NPT Bottom	1/4" NPT Back (LB)	1/4" NPT Bottom	1/4" NPT Back (LB)	1/4" NPT Bottom	1/4" NPT Back (LB)
22 psi	0-15 psi	PDT8051	PDT8051B	PDT8061	PDT8061B	PDT8071	PDT8071B	PDT8081	PDT8081B
45 psi	0-30 psi	PDT8052	PDT8052B	PDT8062	PDT8062B	PDT8072	PDT8072B	PDT8082	PDT8082B
90 psi	0-60 psi	PDT8053	PDT8053B	PDT8063	PDT8063B	PDT8073	PDT8073B	PDT8083	PDT8083B
150 psi	0-100 psi	PDT8054	PDT8054B	PDT8064	PDT8064B	PDT8074	PDT8074B	PDT8084	PDT8084B
240 psi	0-160 psi	PDT8055	PDT8055B	PDT8065	PDT8065B	PDT8075	PDT8075B	PDT8085	PDT8085B
300 psi	0-200 psi	PDT8056	PDT8056B	PDT8066	PDT8066B	PDT8076	PDT8076B	PDT8086	PDT8086B
450 psi	0-300 psi	PDT8057	PDT8057B	PDT8067	PDT8067B	PDT8077	PDT8077B	PDT8087	PDT8087B
900 psi	0-600 psi	PDT8058	PDT8058B	PDT8068	PDT8068B	PDT8078	PDT8078B	PDT8088	PDT8088B

Note: Bi-directional or zero positioned at 12 o'clock on dial is available

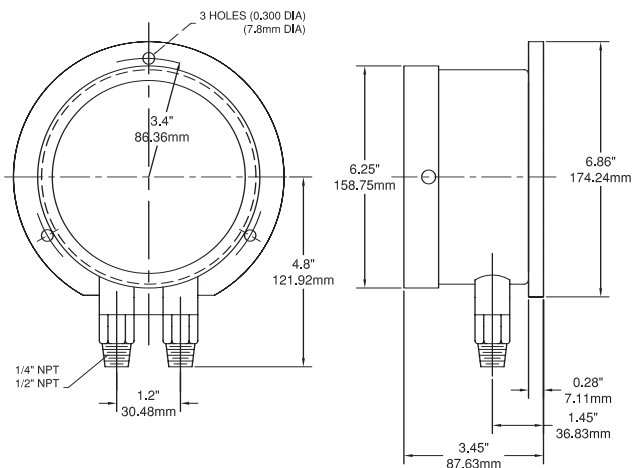
4.5" Bottom Connection



4.5" Back Connection



6" Bottom Connection



6" Back Connection

