



### Description & Features:

- $\pm 0.75\%$  full scale accuracy
- Built to withstand the harshest of sanitary applications
- Food grade glycerin filling standard
- Re-zero feature standard
- Crack/breakage-resistant polycarbonate lens standard
- Clean-In-Place design
- Steam-In-Place design
- Autoclavable
- 5 year warranty

### Applications:

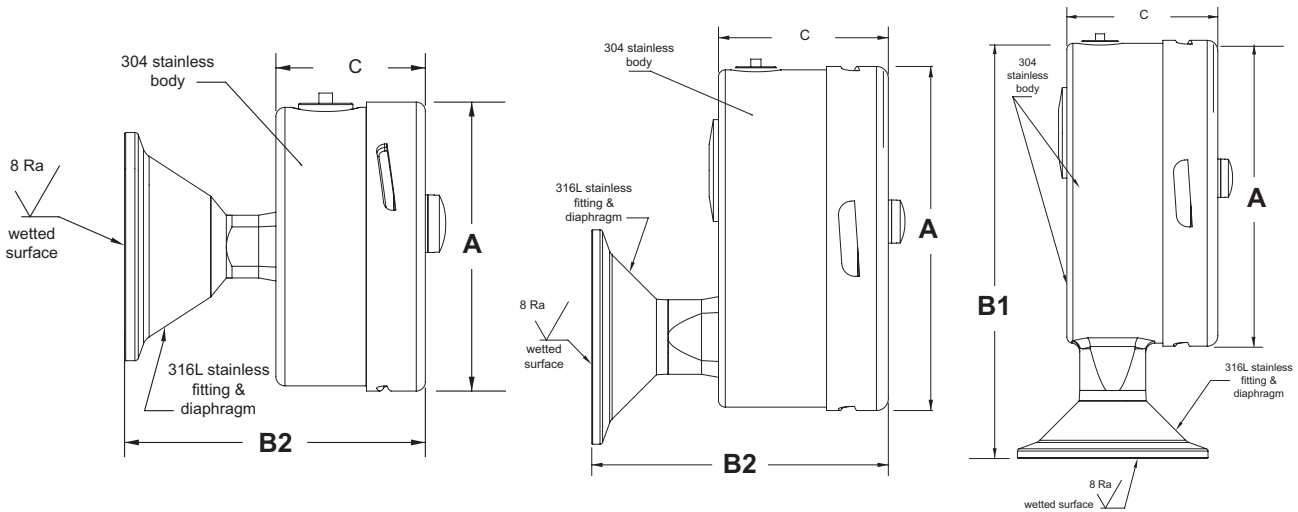
- Demanding pharmaceutical applications requiring strict sanitary instrumentation features and 3A approval

Specifications	
Dial	2.5" (63mm), 4" (100mm) aluminum
Case	304 SS, polished
Repeatability	0.25% of full scale
Linearity	0.25% of full scale
Lens	$\frac{3}{16}$ " thick polycarbonate
Over-range Capability	50% of full scale
Hysteresis	0.25% of full scale
CIP Temperature Limit	250°F (121°C) continuous
SIP Temperature Limit	300°F (149°C) 1 hour, dry
Bourdon Tube	316L SS, welded
Socket	316L SS, welded
Storage Temperature	-22°F to 195°F (-30°C to 91°C)
Temperature Effect	Less than 0.16% per 10°F (5.5°C) change in process or ambient temperature
Actuating Fill	Food grade glycerin standard (Mineral oil, silicone and Neobee-20 optional)
Case Fluid	Food grade glycerin standard (Dry, mineral oil, silicone and Neobee-20 optional)
Pulsation Dampening	Standard
Re-zero Feature	Externally adjustable micrometer pointer
Wetted Parts	316L SS, Ra = 8 microinches
Bezel	304 SS, polished
Ambient Temperature	40°F to 140°F (4°C to 60°C)
Process Temperature	0°F to 250°F (-18°C to 121°C)
Accuracy	$\pm 0.75\%$ of full scale

### Order Codes (products in bold are normally in stock)

Dial Size	2.5" (63mm)				4" (100mm)			
Tri-Clamp®	1.5" (40mm)		2" (50mm)		1.5" (40mm)		2" (50mm)	
Connection	Bottom	Back	Bottom	Back	Bottom	Back	Bottom	Back
30"/0/30 psi/bar	PPG15798	PPG15798B	PPG20798	PPG20798B	PPG151021	PPG151021B	PPG201021	PPG201021B
30"/0/60 psi/bar	PPG15799	PPG15799B	PPG20799	PPG20799B	PPG151022	PPG151022B	PPG201022	PPG201022B
30"/0/100 psi/bar	PPG15791	PPG15791B	PPG20791	PPG20791B	PPG151023	PPG151023B	PPG201023	PPG201023B
30"/0/150 psi/bar	PPG15793	PPG15793B	PPG20793	PPG20793B	PPG151025	PPG151025B	PPG201025	PPG201025B
30"/0/200 psi/bar	PPG15794	PPG15794B	PPG20794	PPG20794B	PPG151026	PPG151026B	PPG201026	PPG201026B
30"/0/300 psi/bar	PPG15795	PPG15795B	PPG20795	PPG20795B	PPG151027	PPG151027B	PPG201027	PPG201027B
0 - 30 psi/bar	PPG15802	PPG15802B	PPG20802	PPG20802B	PPG15602	PPG15602B	PPG20602	PPG20602B
0 - 60 psi/bar	PPG15803	PPG15803B	PPG20803	PPG20803B	PPG15603	PPG15603B	PPG20603	PPG20603B
0 - 100 psi/bar	<b>PPG15804</b>	PPG15804B	<b>PPG20804</b>	PPG20804B	<b>PPG15604</b>	PPG15604B	<b>PPG20604</b>	PPG20604B
0 - 160 psi/bar	PPG15805	PPG15805B	PPG20805	PPG20805B	<b>PPG15605</b>	PPG15605B	<b>PPG20605</b>	PPG20605B
0 - 200 psi/bar	PPG15806	PPG15806B	PPG20806	PPG20806B	PPG15606	PPG15606B	PPG20606	PPG20606B
0 - 300 psi/bar	PPG15807	PPG15807B	PPG20807	PPG20807B	PPG15607	PPG15607B	PPG20607	PPG20607B
0 - 600 psi/bar	PPG15808	PPG15808B	PPG20808	PPG20808B	PPG15608	PPG15608B	PPG20608	PPG20608B

Note: Other ranges available upon request  
 Autoclavable option available on 4" (100mm) dry only  
 Tri-Clamp® is a registered trade mark of Tri-Clover



### Dimensions

Dial	A	B1 Tri-Clamp® Bottom	B2 Tri-Clamp® Back	C
2.5"	2.5 (63mm)	3 <sup>13</sup> / <sub>16</sub> " (96.8mm)	2 <sup>5</sup> / <sub>8</sub> " (66.8mm)	1 <sup>5</sup> / <sub>16</sub> " (33.3mm)
4"	4" (100mm)	5 <sup>7</sup> / <sub>16</sub> " (138.2mm)	3 <sup>7</sup> / <sub>16</sub> " (87.4mm)	1 <sup>15</sup> / <sub>16</sub> " (49.3mm)