

### Description & Features:

- Versatile, heavy duty gas or vapour thermometer for remote reading applications
- Built to order
- 2.5" (63mm) to 8.5" (215mm) dials available
- Brass or stainless steel capillary and bulbs
- Plain, sliding union or thermowell connection
- Capillary lengths over 5 feet available
- 1/2" bulb diameter
- Panel or direct mount
- Gas:  $\pm 0.5\%$  accuracy  
Vapour:  $\pm 2\%$  accuracy
- 1 year warranty

### Applications:

- For remote temperature sensing

To order, specify the Code for each section and the Range:

i.e. TRR3 - 2 - 35 - 1 - 05 - 1 - 50/250°F

Section	Code	Description Type	Section	Code	Description Bulb and Capillary			
					Bulb Type	Bulb Material	Capillary Material	Capillary Protection
I	TRR1	Gas Remote Reading	IV	1	Plain	Brass	Copper	Copper Double Braided
	TRR2	Gas Direct Reading		2	Plain	316 SS	316 SS	None
	TRR3	Vapour Remote Reading		3	Plain	316 SS	316 SS	SS Armour
	TRR4	Vapour Direct Reading	V	Capillary Length (ft)				
Case Type, Connection		05		Standard, 5 feet (1.5m)				
II	1	Bottom connection, back flange	VI	-	Use 2 digits ie: 15 = 15 feet			
	Connection			Connection				
	2	Back connection, front flange		0	None			
	3	Back connection, back flange		1	1/2" NPT brass union			
III	Dial Size		VI	2	1/2" NPT SS union			
	25	2.5" (63mm)		3	3/4" NPT brass union			
	35	3.5" (90mm) Back connection only		4	3/4" NPT SS union			
	40	4" (100mm)		5	1/2" NPT brass thermowell			
	45	4.5" (115mm)		6	1/2" NPT SS thermowell			
	60	6" (150mm)		7	3/4" NPT brass thermowell			
	85	8.5" (215mm)		8	3/4" NPT SS thermowell			

Vapour Ranges	°F only	°F & °C	°C only
All Dial Sizes	-40°F to 110°F	-40°F to 110°F & -40°C to 40°C	-40°C to 40°C
	0°F to 100°F	0°F to 100°F & -20°C to 38°C	-20°C to 38°C
	0°F to 180°F	0°F to 180°F & -20°C to 80°C	-20°C to 80°C
	20°F to 220°F	20°F to 220°F & 0°C to 100°C	0°C to 100°C
	50°F to 250°F	50°F to 250°F & 10°C to 120°C	10°C to 120°C
	50°F to 300°F	50°F to 300°F & 10°C to 150°C	0°C to 150°C
	100°F to 350°F	100°F to 350°F & 40°C to 175°C	40°C to 175°C
	200°F to 450°F	200°F to 450°F & 100°C to 230°C	100°C to 230°C
Gas Ranges			
All Dial Sizes	0°F to 100°F	0°F to 100°F & -20°C to 38°C	-20°C to 40°C
	-40°F to 110°F	-40°F to 110°F & -40°C to 40°C	-40°C to 40°C
	-20°F to 120°F	-20°F to 120°F & -28°C to 48°C	-30°C to 50°C
	30°F to 150°F	30°F to 150°F & -1°C to 65°C	-1°C to 65°C
	0°F to 180°F	0°F to 180°F & -20°C to 80°C	-20°C to 80°C
	30°F to 240°F	30°F to 240°F & -1°C to 115°C	-1°C to 115°C
	40°F to 220°F	40°F to 220°F & 4°C to 100°C	0°C to 100°C
	80°F to 300°F	80°F to 300°F & 26°C to 148°C	0°C to 150°C
	100°F to 400°F*	100°F to 400°F* & 40°C to 204°C*	0°C to 200°C
	100°F to 500°F*	100°F to 500°F* & 40°C to 260°C*	0°C to 260°C
	0°F to 600°F*	0°F to 600°F* & -20°C to 315°C*	0°C to 300°C
	200°F to 1,000°F*	200°F to 1,000°F* & 100°C to 537°C*	0°C to 500°C

\*Ranges require stainless steel capillary and bulb

**Please contact us for:**

Duct flanges

Sliding union

Stainless steel 4" (100mm) and 6" (150mm) cases and capillary available on gas remote/direct reading models

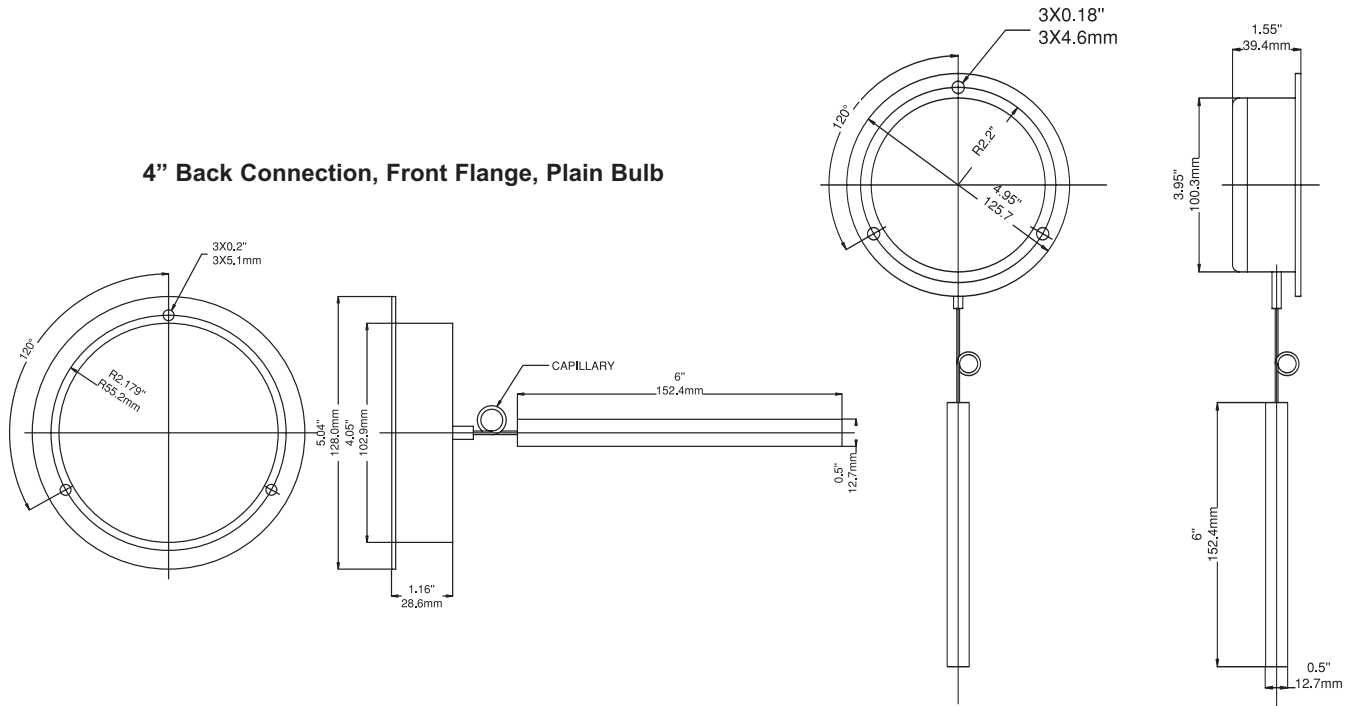
Various bulb dimensions

Averaging bulb (gas only)

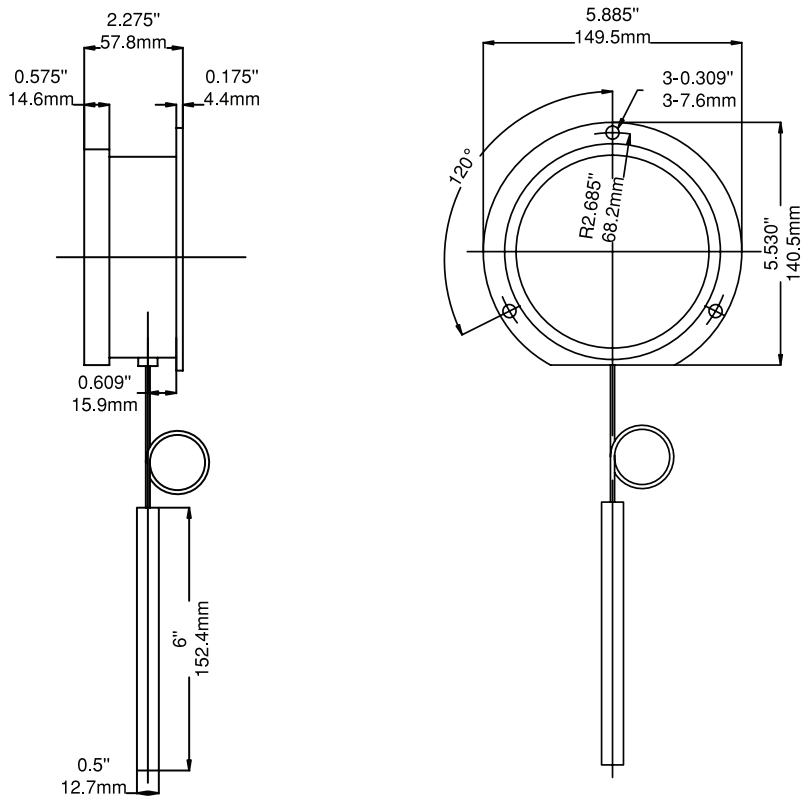
Other ranges

Note: The use of a thermowell is recommended to protect the thermometer in corrosive or pressure applications, as well as to maintain a closed system during its removal from the process.

## 4" Bottom Connection, Back Flange, Plain Bulb



## 4.5" Bottom Connection, Back Flange, Plain Bulb



6" Gas Remote Reading, Bottom Connection, Back Flange, Plain Bulb

