



TDI01 Digital Indicator



TDI02, TDI03 Digital Indicators

TDI01

Description & Features:

- Combines digital panel meter and fully functional controller in one high quality versatile DIN 1/8" instrument
- Programmable colour display which changes colour at any set point or alarm point (e.g. Green: warm-up, Amber: normal operating range, Red: alarm condition)
- Universal signal inputs (Process current/voltage, RTD & Thermocouples)
- Measures process current: 0-20 mA and process voltage: 0-100 millivolt, 0-1 volt, 0-10 volt
- Built-in excitation
- CE approved / NEMA 4 Face
- 1 year warranty

Applications:

- Temperature control, monitor, alarm
- Process control, indication, alarm

TDI02

Description & Features:

- Process meter utilized to receive signals from pressure instruments (e.g. pressure transmitters)
- Extensive zero and span adjustment capability for direct readout in engineering units for process, flow, temperature or level
- 1/8" DIN case with LED display
- Powered by 115 Vac standard (230Vac, isolated 9-32 Vdc, 4-32 Vdc or 26-56 Vdc optional)
- Display hold, easily scaled engineering units
- CE approved
- 1 year warranty

Applications:

- Industrial equipment, indication of liquid level on valve setting
- Any application that requires an indication with a process transmitter

TDI03

Description & Features:

- Powered directly by 1-5 mA, 4-20 mA or 10-50 mA process signals
- No need for external power connections
- Extensive zero and span adjustment capability for direct readout in percentage or in engineering units for process, flow and temperature
- 1 or 2 Dummy Right-Hand zeros, easily configured
- FM approved, 1/8" DIN sized two-wire current-loop indicator with 3.5" digit LCD display
- 1 year warranty

Applications:

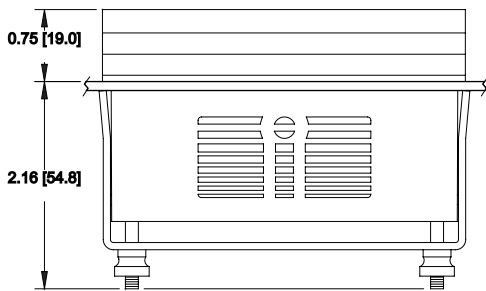
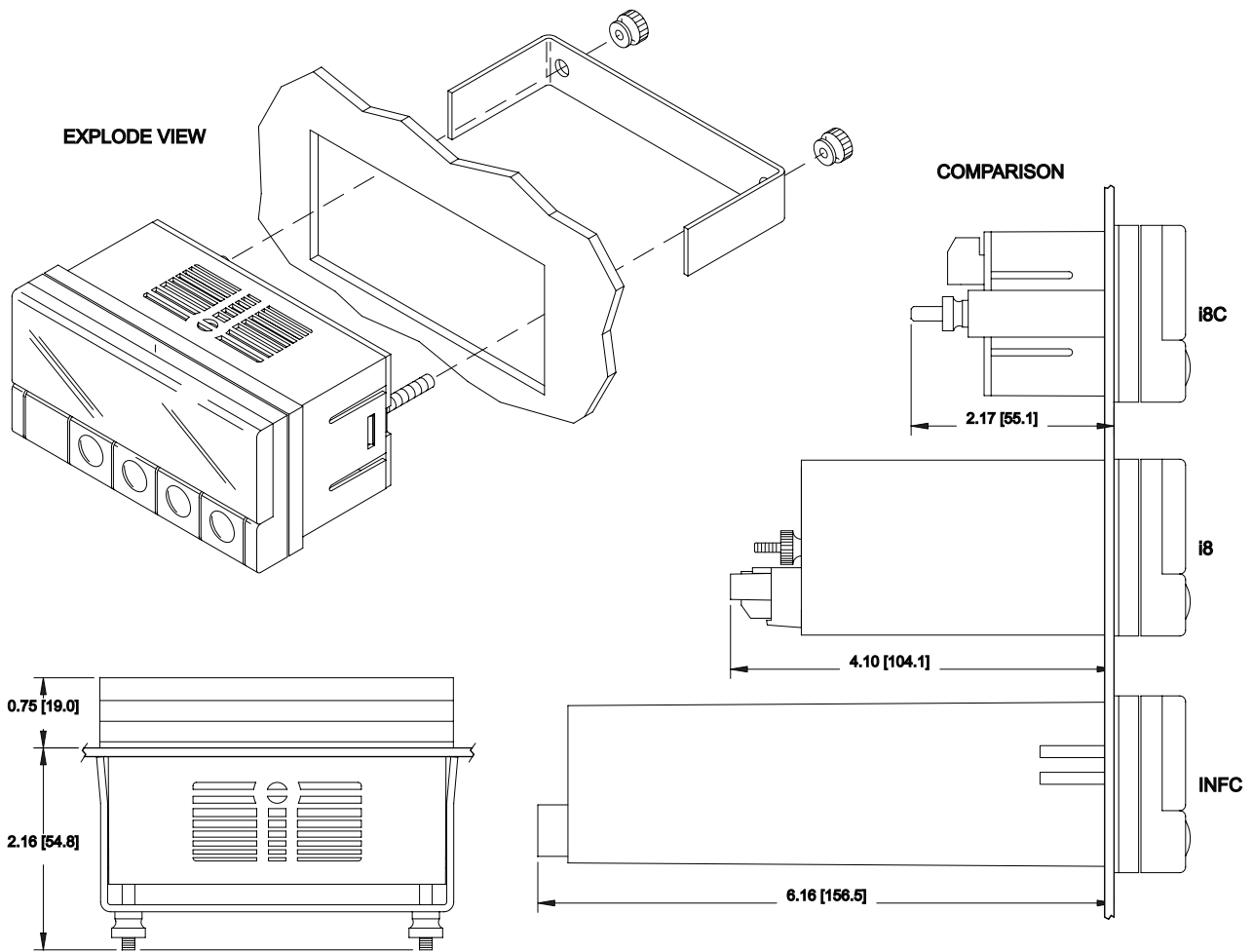
- Any Industrial or HVAC application that requires on indication

Specifications	Accuracy 0.03%	Accuracy 0.05%	Accuracy 0.1%
Input	0-20mA, 0-100 mV, 0-1V, 0-10Vdc, Thermocouple (J,K,T,E,R,S,B,C,N,J DIN), RTD (100 ohms, 500 ohms, 1,000 ohms) 385, 392 curves	4-20mA (13 ohms), 1 to 5Vdc; 00 to 10Vdc	1-5mA, 4-20mA, 10-50mA (125 ohms @ 20mA) (625 ohms @ 4mA)
Display	4 digit, 9 - segment LED, 0.83"	3.5" digit, 7 segment Red or Green LED, 0.56"	3.5" digit, 7 segment LCD, 0.5"
Accuracy	0.03% process typical, ±0.5°C temp	±0.05% R ±1 lsd	±0.1% R ±1 lsd

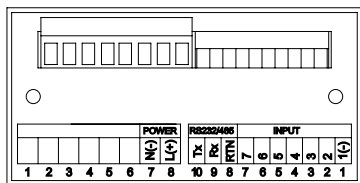
TDI Digital Indicator

Order Codes

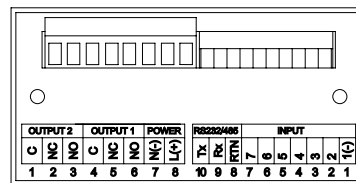
Accuracy	Code
±0.03%	TDI01
±0.05%	TDI02
±0.1%	TDI03



TOP VIEW



i8C00-C24 MONITOR & COMM. OPTION



i8Cxx-C24 CONTROLLER & COMM. OPTION

REAR VIEW