

# NON-ELECTRIC CONDENSATE PUMPS

## Accessories & Options

### Pressure Motive Pumps

Watson McDaniel reserves the right to change the designs and/or materials of its products without notice.  
©2006 Watson McDaniel Company

PUMPS

#### Receiver Tanks

Four standard condensate receiver sizes are available for our Pressure Motive Pump Systems. 21, 48, 75 and 116 gallons. Custom Receiver fabrication is available with our ASME certified fabrication facility.



#### Gauge Glass

Watson McDaniel's Pump Tanks are available with either bronze or stainless steel gauge glass to determine condensate level inside the tank.

#### Cycle Counter

The cycle counter option allows you to calculate and measure condensate flow through the pump. This also gives you an indication when maintenance and repairs to your mechanism may be required.

#### Pre-Piped PRV & Drip leg

A fully-assembled Pre-piped PRV, Drip Leg, or PRV and Drip Leg Assembly guarantees proper installation of your PMP System. It assures that your skid package performs to optimum levels.



#### Vertical Discharge

Vertical Discharge Pump with "T-Bone" connection allows inlet and outlet condensate hook-ups to be made above the pump. This is an advantage when space is limited around the base of the pump due to equipment or piping obstructions.

#### Product Description

#### Model Code

#### GAUGE GLASS

#### Standard Bronze

for PMPC, PMPF, PMPLS, 21Gallon Receiver  
for PMPM Mini Pump  
for 48 Gallon Receiver  
for 75 Gallon Receiver  
for 116 Gallon Receiver

Gauge Glass 1  
Gauge Glass PMPM  
Gauge Glass 1  
Gauge Glass 1  
Gauge Glass 1

#### Following Options are available for gauge glasses. Contact factory.

Auto Drain (self-drain) Stainless Steel Armored  
Reflex Gauge for PMPC, PMPF, PMPLS, 21 Gallon Receiver

Gauge Glass 1A  
Gauge Glass - 1HP

#### GAUGE GLASS

#### Stainless Steel (for PMPSS)

Gauge Glass SS

#### Cycle Counter:

Digital Cycle Counter fits all Pressure Motive Pumps

Specify open or closed system

#### ASME Code Stamp

#### for PMPC Pump Tank

(Standard on 21, 48, 75, 116 Gallon Receivers and PMPF, PMPLS, PMPSS pump tanks)

#### Insulation Cover

PMPC-Ductile Iron Pump  
PMPF-Fabricated Steel Pump  
PMPLS-Low Profile Pump  
PMPBP-High Capacity Pump  
PMPM-Mini Pump  
21 Gallon Receiver  
48 Gallon Receiver  
75 Gallon Receiver  
116 Gallon Receiver

INSUL-CRV-PMPC  
INSUL-CRV-PMPF  
INSUL-CRV-PMPLS  
INSUL-CRV-PMPBP  
INSUL-CRV-PMPM  
INSUL-CRV-21  
INSUL-CRV-48  
INSUL-CRV-75  
INSUL-CRV-116

# NON-ELECTRIC CONDENSATE PUMPS

## Accessories & Options

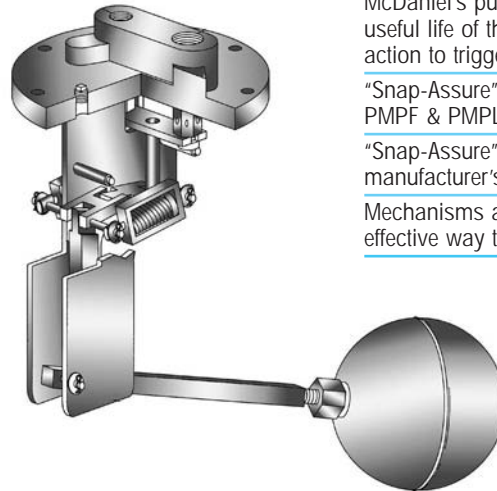
### Pressure Motive Pumps



### Insulation Jacket

Insulation Jackets conserve energy by reducing heat loss. They also improve safety by protecting personnel from hot surfaces. Jackets have velcro closures for easy on-off removal. Fits tightly around pump tanks and receivers.

### Patented "Snap-Assure" Feature



Patented "Snap-Assure" feature is found only on Watson McDaniel's pump mechanisms. "Snap-Assure" extends the useful life of the pump by assuring the internal toggle action to trigger (snap) at every cycle.

"Snap-Assure" is supplied standard in Models PMPC, PMPF & PMPLS.

"Snap-Assure" mechanisms will also fit other manufacturer's pump tanks.

Mechanisms are simple and easy to replace and cost-effective way to make your pump as good as new.

PUMPS

Product Description		Model Code
<b>Pre-piped Accessories</b>		
	Pre-piped Pressure regulating valve for motive steam or air	PRV1
	Pre-piped drip leg station with steam trap	PRV2
	Pre-piped drip leg with steam trap and PRV	PRV3
	Pre-piped exhaust line	PRV4
<b>Mechanisms</b>		
	New Mechanism Assembly with Cover	
	PMPF	900-03
	PMPC, PMPLS	910-03
	PMPBP	900-01
	PMPHP	920-03
	New Mechanism Assembly - PMPM	911-03
<b>Rebuilt Mechanisms*</b>		
	PMPF	900-03R
	PMPC, PMPLS	910-03R
<b>Check Valves</b>	Stainless Steel: 1/2" - 3" NPT	SEE WSSCV Page

\* Note for Rebuilt Mechanisms:

The exchange program is for mechanisms with two years of service or less. The old mechanism must be returned along with the order for the rebuilt mechanism. Orders without old mechanisms will be invoiced at the new mechanism price.