

SNV Needle Valve



Description & Features:

- An isolation valve for pressure gauges and transmitters
- For mild applications, this valve can be used to throttle pulsation. Please see NVA Stainless Steel Needle Valve for more demanding applications
- CRN registered
- 1 year warranty

Applications:

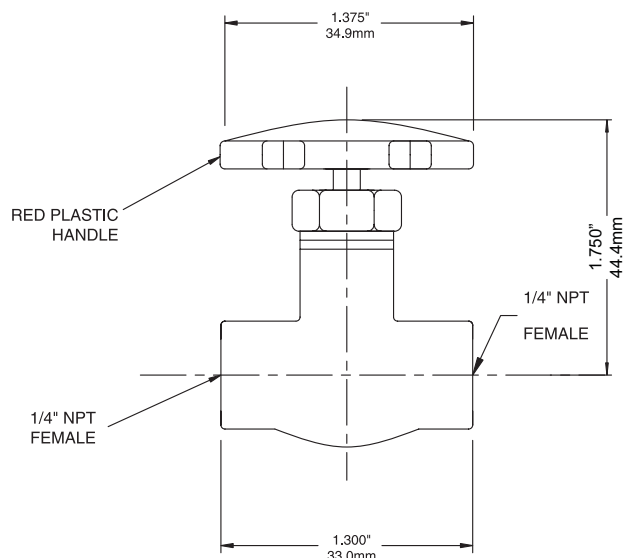
- Provides precision flow control for any non-corrosive application up to 400 psi (2,758 kPa)

Specifications	
Body	#59-1 forged brass
Handle	ABS plastic, dyed red
O-ring	Rubber
Shaft	#59-1 brass
Nut	#59-1 brass
Process Temperature	-9°F to 212°F (-23°C to 100°C)
Maximum Operating Pressure	400 psi (2,758 kPa)
Connection	1/4" NPT female

Order Codes (products in bold are normally in stock)

Code	SNV510
------	--------

Note: Other configurations and materials available upon request



Series Number (for custom, non-standard product)



SERIES

CONNECTION SIZE

1/4"

3/8"

1/2"

CONNECTION THREAD

NPT

BSP

BSPT

4

3

2

N

B

T