



Edco FAS-1 and FAS-2 Series One and Two Pair Signal Line Protector (Commercial)

The Edco FAS-1 and Edco FAS-2 Series are multi-stage single pair or two pair surge suppressors designed for high exposure applications. These products were specifically designed to meet multiple low voltage protection applications where operating currents can be as high as 2.5 Amps.

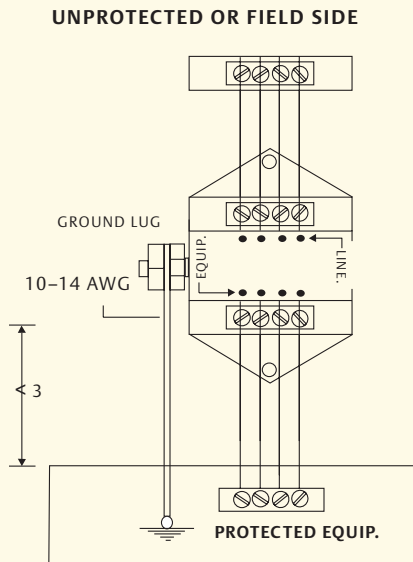
Features

- Lightning protection for low voltage data/ signal lines
- Multi-stage protection
- Common mode and differential mode protection
- Automatic recovery
- 5 year warranty

General Technical Specifications

Part Number	Edco FAS-1 and FAS-2 Series
Operating Voltage	15, 24, 36, 52 VDC
Clamping Voltage	18, 33, 43, 60 VDC
Operating Current	2.5A
Peak Surge Current	10 kA (8 x 20 μs)
Frequency Range	0 to 10 MHz
Insertion Loss	< 0.1 dB at 10 MHz
SPD Technology	GDT, SAD, w/ Series Inductor
Connection Type	Terminal block w/compression lugs Terminals accept up to 12 AWG
Operating Temperature	-40°C to +85°C
Dimensions (Inches)	FAS-1 = 1.5H x 1.5W x 2.8L FAS-2 = 2H x 2W x 2.8L
Weight	FAS-1 = 3.5 oz FAS-2 = 7 oz
Certifications	UL 497B

Installation



DO NOT daisy chain grounds. NOT intended for shield termination. Install ground in accordance with all applicable codes.

Ordering Information

12 VDC use:	FAS-1-018 HC (single pair) FAS-2-018 HC (two pair)
24 VDC use:	FAS-1-033 HC (single pair) FAS-2-033 HC (two pair)
24 VAC use:	FAS-1-043 HC (single pair) FAS-2-043 HC (two pair)
48V Systems use:	*FAS-1-060 HC (single pair) *FAS-2-060 HC (two pair)

*Not UL Listed

Caution:

The hybrid design of this product includes series resistance. Do not place this product in service on any signal line capable of continuously supplying more than 2.5 amperes.