



## Edco SPA-100T AC Service Protection

The Edco SPA-100T is a medium duty AC Service Arrester which is solid state in design. It is intended for equipment which is located in outdoor cabinets exposed to lightning transients. Application examples are railroad equipment, motor control cabinets, flasher cabinets, and traffic controllers.

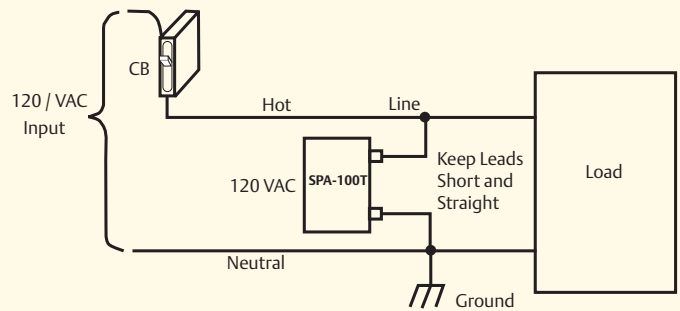
### Features

- Fast response time
- Solid-state design
- Epoxy encapsulated
- Compact size
- 5 year warranty

### General Technical Specifications

Part Number	Edco SPA-100T
Operating Voltage	120 VAC
Clamping Voltage	395 VAC
Operating Current	NA
Peak Surge Current	13 kA/Mode/Phase/Total
Operating Frequency	47-63 Hz
EMI Attenuation	NA
SPD Technology	MOVs
Status Indication	NA
Connection Type	10-32 Stainless Steel Stud
Operating Temperature	-40°C to +85°C
Dimensions (Inches)	0.5H x 1.5W x 2.0L
Weight	2 oz

### Installation



**Caution:**

1. Install SPA-100T on load side of breaker as shown.
2. Installation and service should be performed by qualified personnel only.
3. Remove all electrical power from circuits before installing SPA-100T.

### Mounting

