



## Edco ACP-340 120 VAC — 1 Phase

The Edco ACP-340 filtering surge protector absorbs power line noise and switching transients that other suppressors and RFI filters pass through. The Edco ACP-340 can replace the RFI filter when high attenuation of noise above 25 MHz is not required.

If random time-base, memory loss, or other problems are affecting some of your intersections, this state-of-the-art protector can be of great benefit when properly installed.

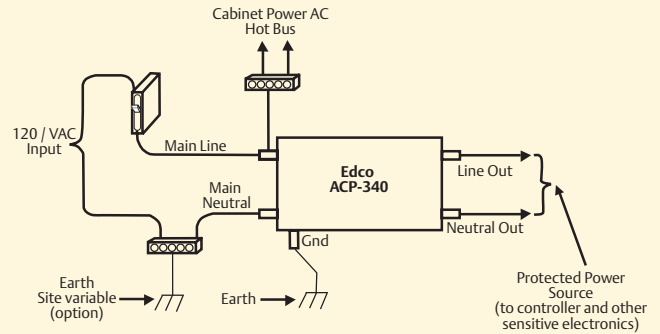
### Features

- Multi-stage hybrid design
- Industry-leading noise filtering
- Nanosecond response time
- Incorporates series choke
- 5 year warranty

### General Technical Specifications

Part Number	Edco ACP-340
Operating Voltage	120 VAC
Clamping Voltage	395 VAC
Operating Current	10A
Peak Surge Current	32.5 kA/Mode, 39 kA/Phase
Operating Frequency	47-63 Hz
EMI Attenuation	60 dB typ
SPD Technology	MOVs w/L-C Filter
Modes of Protection	L-N, L-G, N-G
Status Indication	NA
Connection Type	1/4-20 Stainless Steel Stud
Operating Temperature	-40°C to +85°C
Dimensions (Inches)	2.375H x 3.125W x 7.125L
Weight	1 lb 13.5 oz

### Installation



#### Caution:

1. This product could become excessively hot and rupture in the rare event of power line conditions or surge that exceed its rated operating specification. Appropriate precautions should be exercised.
2. High voltages are present on electrical termination. Unit should be serviced by qualified personnel only.

### Mounting

