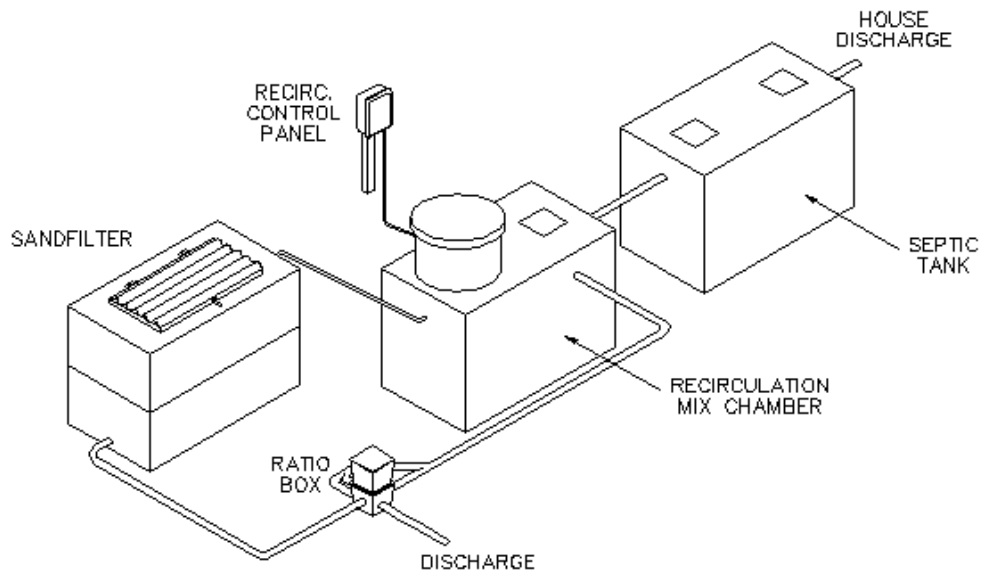


AMERICAN ONSITE

AMERICAN MANUFACTURING COMPANY, INC.

[Home](#)[About](#)[Site Map](#)[Products](#)[Drip Systems](#)[Controls](#)[Contact](#)[Data Center](#)

SAND FILTER EQUIPMENT



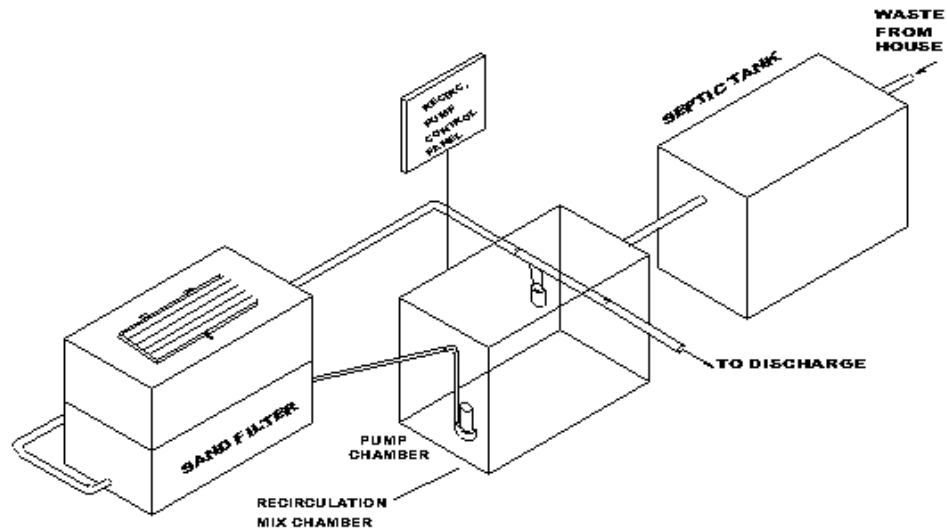
RECIRCULATING SAND FILTER

RATIO BOX

LOW FLOW RESTING ELEVATED DISCHARGE

The American Manufacturing Company, Inc. Recirculating Sand Filter Package design with a **RATIO BOX** is based on the EPA design Standard. The system is designed to provide enhanced effluent quality with simple maintenance and very low operational costs. The Ratio box allows the final discharge to be elevated with the sand filter therefore not determined by the elevation of the pump station. The filter rests during low flow so filter runs may be longer but the quality may be detracted from during restart after long rest periods.

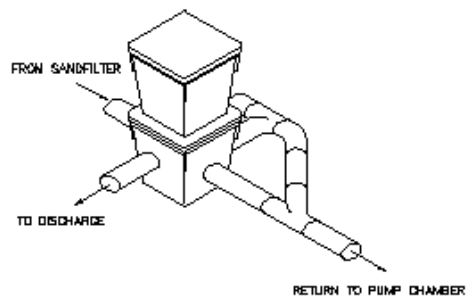
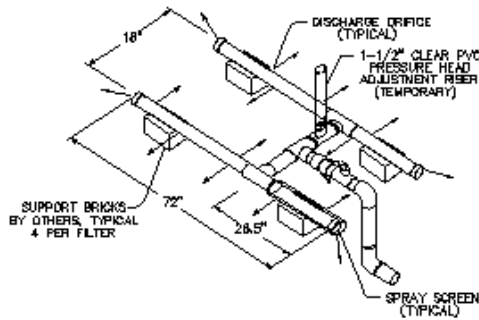
PACKAGE MODEL #RSFRV1



RECIRCULATING SAND FILTER
RECIRC-VALVE CONTINUOUS OPERATION
GRAVITY DISCHARGE

The American Manufacturing Company, Inc. Recirculating Sand Filter Treatment package with **RECIRC-VALVE** is based on the EPA design Standard. The system will provide enhanced effluent quality with simple maintenance and very low operational costs. The Recir-Valve requires the final discharge to be determined by the elevation of the pump station. The filter is dosed periodically by a timer. The periodic dose is continuous so filter resting is less, and maintenance events may increase but the quality potential is enhanced due to the filter being continuously active.

ITEM	DESCRIPTION
RB41	RATIO BOX 4 TO 1
RB51	RATIO BOX 5 TO 1
RSFRB450	RECIRC. SAND FILTER KIT 450 GPD 2 MODULE RATIO BOX
RSFRV450	RECIRC. SAND FILTER KIT 450 GPD 2 MODULE W/ RECIRC VALVE



PACKAGE MODEL
#RSFRB450

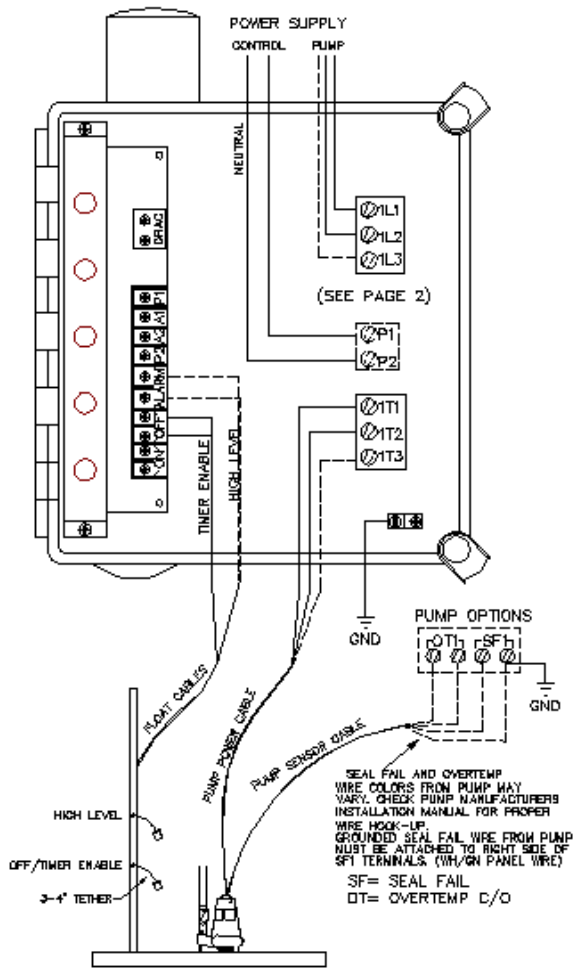
STANDARD FEATURES

- Ratio Box
- Control Panel
- Switch Set Tree

PACKAGE MODEL
#RSFRV450

STANDARD FEATURES

- Recirculation Valve
- Control Panel
- Switch Set Tree



Tank Covers
 Laterals
 Floats
 Pump Discharge Kit

Tank Covers
 Laterals
 Floats
 Pump Discharge Kit

ADDED COMPONENTS PER FILTER
 Cover
 Lateral
 Alarm Float

ADDED COMPONENTS PER FILTER
 Cover
 Lateral
 Alarm Float

BY OTHERS
 Filter Tanks
 Media
 Pump
 Misc. Pipe & Fittings
 Septic Tank & Pump Tank
 Installation
 Electrical

BY OTHERS
 Filter Tanks
 Media
 Pump
 Misc. Pipe & Fittings
 Septic Tank & Pump Tank
 Installation
 Electrical

PRODUCT LIST

PREVIOUS PAGE | NEXT PAGE

AMERICAN MANUFACTURING COMPANY, INC.

Last revised: Jan-9-2006

Comments to: info@americanonsite.com

Copyright © American Manufacturing Company, Inc., 2000

[HOME](#) | [ABOUT](#) | [ORDER INFO](#) | [PRODUCTS](#) | [DRIP SYSTEMS](#) | [CONTROLS](#) | [CONTACT](#) | [DATA CENTER](#) | [SITE MAP](#)