

Edco ACP-340LED/540LED 120 VAC — 1 Phase/240 VAC — 1 Phase



The Edco ACP-340LED is an upgrade to the popular Edco ACP-340, adding a failure indicator as well as remote sensing circuitry. In addition, this unit offers much better lightning protection than the standard Edco ACP-340.

The Edco ACP-340LED/540LED filtering surge protectors absorb power line noise and switching transients that other suppressors and RFI filters pass through. They can replace the RFI filter when high attenuation of noise above 25 MHz is not required.

The Edco ACP-340LED/540LED utilize Thermally-protected Metal Oxide Varistors (TMOVs) with an integrated thermally activated element designed to open in the event of overheating due to the abnormal over-voltage, limited current conditions.

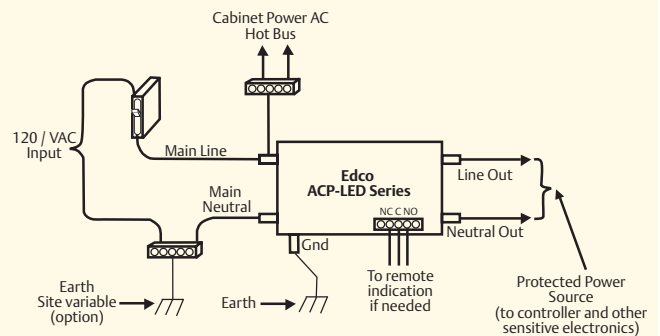
Features

- 50 kA/Mode & 100 kA/Phase surge current protection
- Thermally-protected Metal Oxide Varistors (TMOVs)
- Power On and failure LED
- Remote sensing circuitry
- 5 year warranty

General Technical Specifications

Part Number	Edco ACP-340LED/540LED
Operating Voltage	120 VAC/240 VAC
Clamping Voltage	395 VAC/775 VAC
Operating Current	15A
Peak Surge Current	50 kA/Mode, 100 kA/Phase
Operating Frequency	47-63 Hz
EMI Attenuation	40 dB typ
SPD Technology	MOVs w/L-C Filter
Modes of Protection	L-N, L-G, N-G
Status Indication	Power On & MOVs functional
Connection Type	1/4-20 Stainless Steel Stud
Operating Temperature	-40°C to +85°C
Dimensions (Inches)	1.875H x 3.25W x 5.75L
Weight	1 lb

Installation



Caution:

1. This product could become excessively hot and rupture in the rare event of power line conditions or surge that exceed its rated operating specification. Appropriate precautions should be exercised.
2. High voltages are present on electrical termination. Unit should be serviced by qualified personnel only.

Option

**DIN Rail Kit Available.
Order Part # 11604KIT**

Mounting

