

HFN/F Panelized Construction Hangers

The HF24N, HF26N, HF34N and HF36N hangers are designed for panels or components using jigs or similar devices for precision fabrication. Grip-groove feature provides positive lock into the 2x or 3x member without nailing. F series panel hangers are engineered components for panelized construction only.

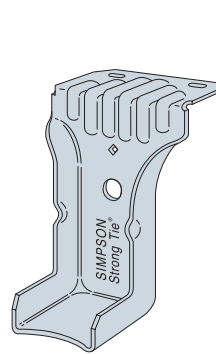
MATERIAL: 18 gauge

FINISH: Galvanized. Some products available in ZMAX® coating; see Corrosion Information, page 10-11.

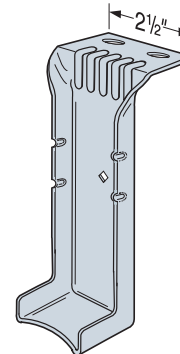
INSTALLATION:

- Use all specified fasteners. See General Notes.
- In panelized construction, it is acceptable to nail through the sheathing into the hanger's top flange using one 10dx2½" nail placed in the middle third of the top flange, no closer than ¼" from the back edge of the hanger. See technical bulletin T-HFHANGER for additional information (see page 191 for details).
- On the F-series hanger, the seat nail is non-structural and does not contribute to the load.
- For additional information on retrofit options see flier F-RUZNRUZ (see page 191 for details).

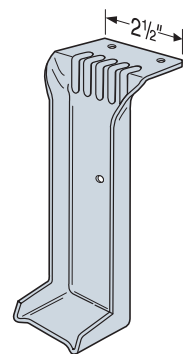
CODES: See page 12 for Code Reference Key Chart.



HF24N
(HF34N similar)
U.S. Patent 6,260,402



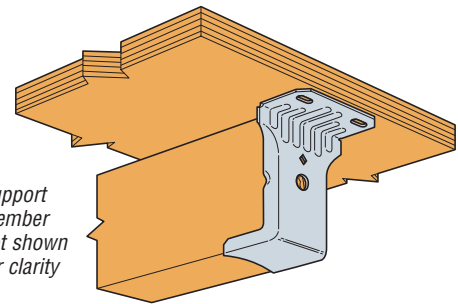
HF26N
(HF36N similar)
Dimples hold joist securely in place
U.S. Patent 6,260,402



F26P

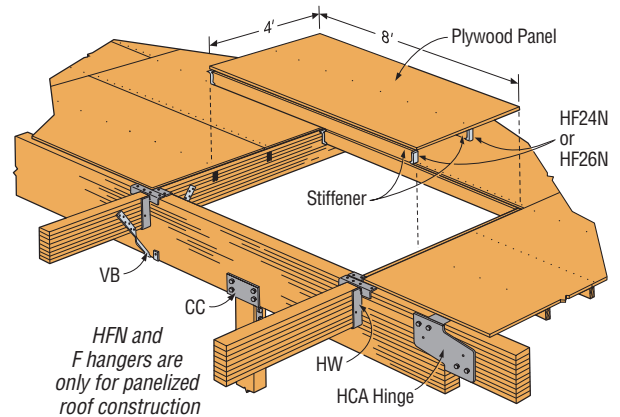
These products are available with additional corrosion protection. Additional products on this page may also be available with this option, check with Simpson Strong-Tie for details.

| Model No. | Joist Size | Dimensions | | | Fasteners | Allowable Roof Loads (125) | Code Ref. |
|-----------|------------|------------|----|----|-----------|----------------------------|--------------|
| | | W | H | TF | | | |
| HF24N | 2x4 | 1½ | 3¾ | 1¼ | 2-10dx2½ | 580 | I15, F14 |
| F26P | 2x6 | 1¾ | 5¾ | 1¾ | 2-10d | 585 | I15, L3, F14 |
| HF26N | 2x6 | 1½ | 5¾ | 1¼ | 2-10dx2½ | 635 | I15, F14 |
| HF34N | 3x4 | 2¾ | 3¾ | 1¼ | 2-10dx2½ | 690 | |
| HF36N | 3x6 | 2¾ | 5¾ | 1¼ | 2-10dx2½ | 725 | |
| F24-2 | (2) 2x4 | 3¼ | 3½ | 1¾ | 2-10d | 735 | |
| F26-2 | (2) 2x6 | 3¼ | 5¾ | 1¾ | 2-10d | 800 | I15, L3, F14 |
| F44 | 4x4 | 3¾ | 3¾ | 1½ | 2-10d | 880 | |
| F46 | 4x6 | 3¾ | 5¾ | 1¾ | 2-10d | 785 | |

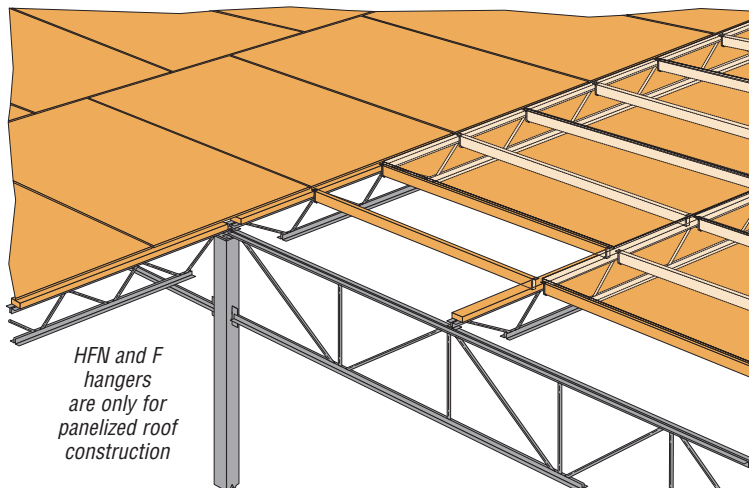


Typical HF24N Installation
(HF34N similar)

1. 10d common nails can be used for specified 10dx2½ nails.
2. **NAILS:** 10d = 0.148" dia. x 3" long, 10dx2½ = 0.148" dia. x 2½" long. See page 16-17 for other nail sizes and information.



Typical Wood Framed Panelized Roof System



HFN and F hangers are only for panelized roof construction

Typical Hybrid Panelized Roof System