

# VTC2 Valley Truss Clip



This product is preferable to similar connectors because of a) easier installation, b) higher loads, c) lower installed cost, or a combination of these features.

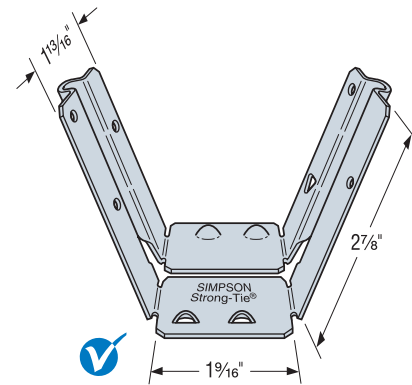
The VTC2 is a valley truss to common truss connector. VTC2 is installed on top of the roof sheathing. It provides a positive connection and eliminates the costly support wedge underneath the valley truss or valley truss bottom chord bevel cutting. VTC2 is adjustable to slopes between 2:12 to 8:12.

**MATERIAL:** 18 gauge **FINISH:** Galvanized

**INSTALLATION:** • See installation sequence below.

- Use all specified fasteners. See General Notes.
- The dome nail holes assist in installing the common truss fasteners slanted at an angle approximately 55° from the horizontal level line.
- Install two 10d x 1 1/2" nails in one vertical stirrup and three 10d x 1 1/2" nails in the other vertical stirrup to the valley truss bottom chord.
- For use with 7/16" or 1/2" thick sheathing. Contact Simpson Strong-Tie for loads for different sheathing thicknesses or when attached directly to framing.

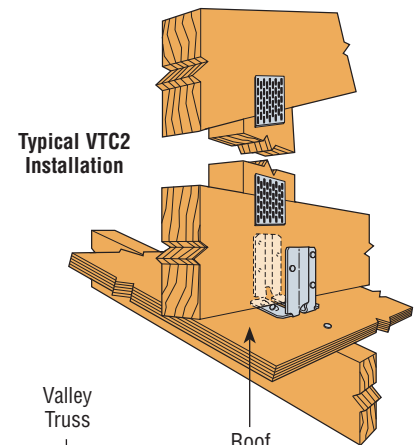
**CODES:** See page 12 for Code Reference Key Chart.



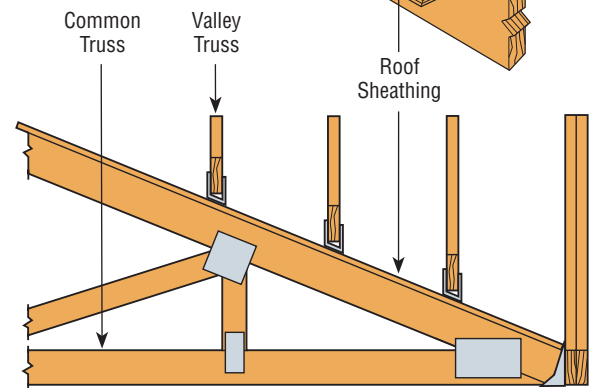
**VTC2**  
U.S. Patent 6,840,020

Model No.	Fasteners		2x Truss Chord Material	Allowable Loads <sup>1,2</sup>					Code Ref.
	Common Truss	Valley Truss		Uplift		Download		Wind	
				(160)	(100)	(115)	(125)		
VTC2	4-10d	5-10dx1 1/2	Doug Fir Larch	330	480	550	600	640	I13, F12
			Southern Pine	405	520	600	650	690	
			Spruce-Pine-Fir	310	415	475	520	550	

1. Uplift loads have been increased 60% for wind or earthquake loading with no further increase allowed; reduce where other loads govern.
2. Wind (160) is a download rating.
3. **NAILS:** 10d = 0.148" dia. x 3" long, 10dx1 1/2 = 0.148" dia. x 1 1/2" long. See page 16-17 for other nail sizes and information.

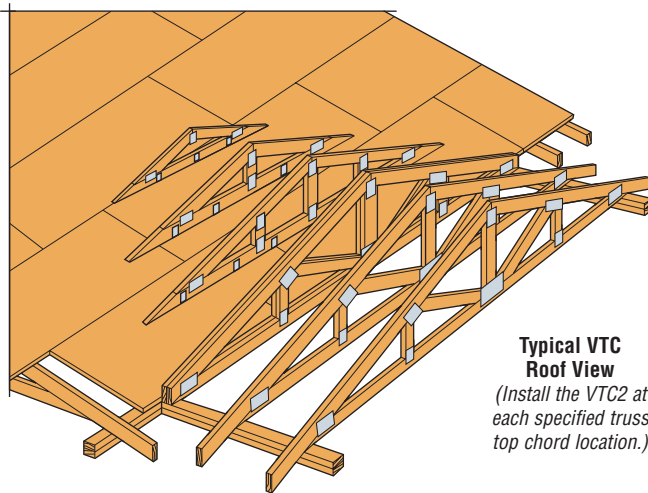


Typical VTC2 Installation



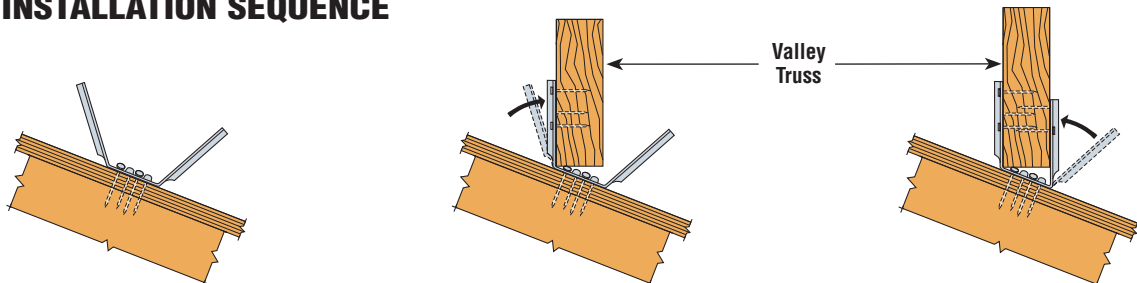
Typical VTC2 Side View

Plated Truss Connectors



Typical VTC2 Roof View  
(Install the VTC2 at each specified truss top chord location.)

## VTC2 INSTALLATION SEQUENCE



**STEP 1:**  
Align the centerline of VTC2 with the common truss top chord centerline. Attach through the roof sheathing to the common truss top chord.

**STEP 2:**  
Adjust the upslope stirrup vertically and attach to valley truss bottom chord.

**STEP 3:**  
Adjust the downslope stirrup vertically and attach to bottom chord. Bend stirrups one time only.