

# HANGER OPTIONS

## LEG/MEG/EG

See Hanger Options General Notes.

### SKEWED SEAT — TOP FLANGE MODELS ONLY

- The LEG/MEG/EG series can be skewed up to 45°. The maximum allowable load is 10,000 lbs. for LEG and MEG, 14,250 lbs. for EG.

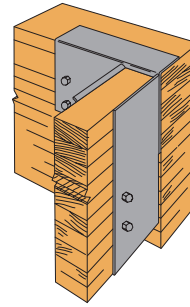
### SLOPED SEAT — TOP FLANGE MODELS ONLY

- The LEG/MEG/EG series can be sloped up to 45°. The maximum allowable load is 9665 lbs.; see illustration.

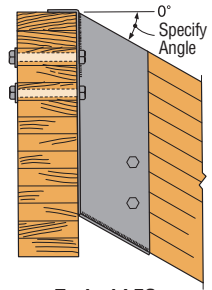
### NO SLOPED AND SKEWED COMBO AVAILABLE.

### OFFSET TOP FLANGE

- The LEG/MEG (only) top flange may be offset left or right for placement at the end of a header (see illustration). The maximum allowable load is 5665 lbs. (Min.  $H = 11"$  for MEG,  $9"$  for LEG)
- No skews allowed on offset hangers.



Typical LEG/MEG  
Top Flange Offset Left



Typical LEG  
Sloped Down Installation  
(MEG/EG similar)

## EGQ

See Hanger Options General Notes.

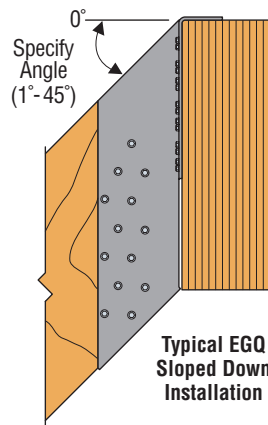
### SKEWED SEAT

- The EGQ can be skewed a maximum of 45°.
- The maximum allowable download when skewed is 16,300 lbs.
- The maximum allowable uplift when skewed is 5770 lbs.
- Joist must be bevel cut for skewed seat installation.

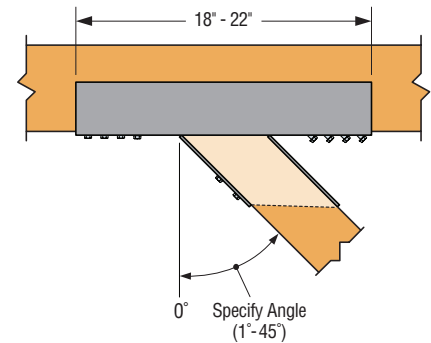
### SLOPED SEAT

- The EGQ can be sloped up or down a maximum of 45°.
- The maximum allowable download when sloped is 15360 lbs.
- The allowable uplift when sloped is 100% of the table load.
- Sloped seat installation requires an additional 14 joist screws (supplied with the connector).

### NO SLOPED AND SKEWED COMBO AVAILABLE.



Typical EGQ  
Sloped Down  
Installation



Top View EGQ  
Skewed Right

## HUTF/HUITF

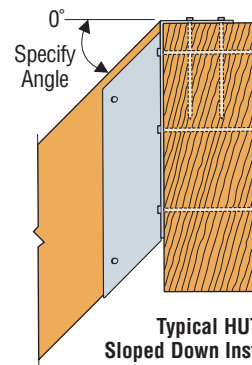
See Hanger Options General Notes.

### SLOPED AND/OR SKEWED SEAT

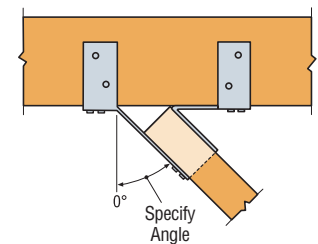
- HUTF can be skewed to a maximum of 45° or sloped to a maximum of 45°. HUTF can be skewed and sloped down only, provided  $W \geq 2\frac{3}{8}"$ . Hangers with a skew greater than 15° may have all the joist nailing on the outside angle. No skew with slope up options available.
- For the skewed-only HU34TF, HU24-2TF and HU44TF, the allowable loads are 0.50 of the table load. All other models have a maximum allowable load of 0.60 of the table loads.
- For skews greater than 15°, uplift loads are 0.75 of the table loads.
- For sloped and skewed hangers, the allowable loads are 0.70 of the table loads.
- For sloped down only hangers, allowable load is 0.78 of the table load.

### CONCEALED FLANGE

- HUTF is available with one A flange concealed at 0.85 of the catalog table load. HUTF is also available with both flanges concealed provided the  $W$  dimension is  $2\frac{3}{16}"$  or greater, at 0.85 of the table load. Specify HUCTF for both flanges concealed. No skew options available.



Typical HUTF  
Sloped Down  
Installation



Top View HUTF Hanger  
Skewed Right