

# Control4® Suite Systems

## Wireless Switch



*The Control4 Wireless Switch fits any standard back box and delivers efficient, easy-to-use lighting automation that is valued by guests, staff and budgets.*



The Control4® Wireless Switch is a smart, affordable way to integrate guestroom lighting into a hotel building and room management system. Ideal for new construction and for existing properties, the Wireless Switch is easy to install and program. Wireless Switches are conveniently controlled from keypads, remotes, touch screens or the television interface.

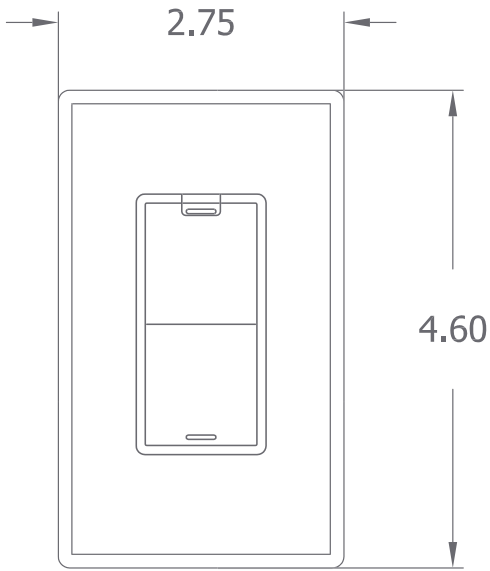
Your guests will be able to easily control the lighting levels in their room, use personalized light settings to create the perfect mood and can even set custom wakeup events to start their day off right.

Control4® Wireless Switches give your property the ability to meet energy building standards while delivering an unprecedented guest experience. The switches integrate into the total room automation and smart building experience, allowing management to maximize energy savings, and enhance guest comfort and convenience.

- Low-profile design blends with Décora style and custom colors match any décor
- Multi-color LED's deliver feedback and provide dynamic night lights when necessary
- Communicates wirelessly via the ZigBee® standard
- FC, UL, CE and RoHS certified

# Control Suite Systems

## Wireless Switch



### Technical Specifications

#### Load Capacity

- 1000 Watts, single or multi ganged installations

#### Communications

- Wireless ZigBee (802.15.4) mesh networking

#### Environmental

- Operational 0°C to 40°C
- Humidity 5% to 95% Non-Condensing
- Storage -20°C to 70°C

#### Power Requirements

- 120 VAC +/- 30% (84-156 VAC) 50 to 60 Hertz

#### Dimensions + Weight

- H x W x D: 4.60" x 2.75" x 1.60" (117mm x 70mm x 41mm)
- Weight: 4.9 oz (139 g)

#### Available Colors

- White
- Black
- Almond
- Custom colors are available
- Screwless face plates are available

