

SUR/SUL/HSUR/HSUL Skewed 45° Hangers



This product is preferable to similar connectors because of a) easier installation, b) higher loads, c) lower installed cost, or a combination of these features.

The SU and HSU series of hangers are skewed 45° left or right. Angled nail slots direct nails for proper installation.

MATERIAL: SUR and SUL—16 gauge; HSUR and HSUL—14 gauge

FINISH: Galvanized. Some products available in ZMAX® coating; see Corrosion Information, page 10-11.

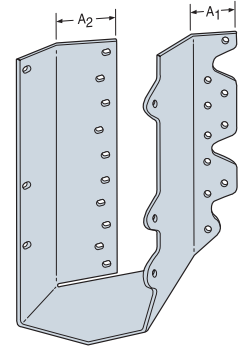
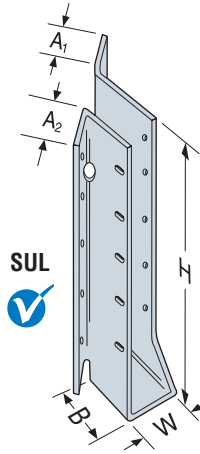
INSTALLATION: • Use all specified fasteners. See General Notes.

- These hangers will normally accommodate a 40° to 50° skew.
- Illustration shows left and right skews SUR/L (SUR=skewed right; SUL=skewed left).
- The joist end may be square cut or bevel cut.
- For installations to concrete/masonry walls see page 140.

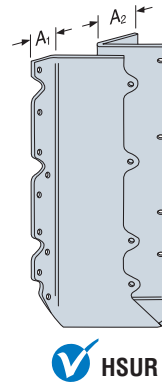
OPTIONS:

- Available with the A2 flange turned in on the 2-2x and 4x models only (see illustration).
- To order, add "C" (for concealed) to the product name.
- For example, specify HSURC46, HSULC46, SURC46, or SULC46.

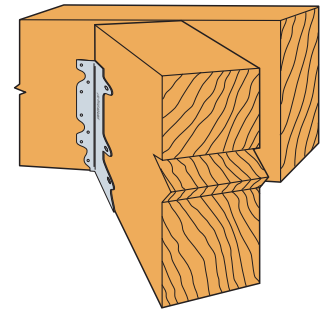
CODES: See page 12 for Code Reference Key Chart.



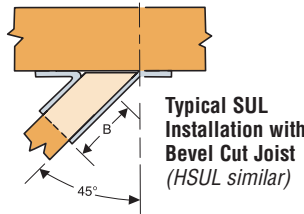
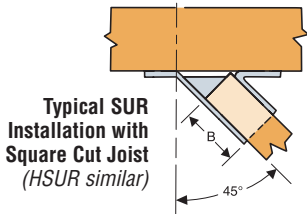
HSULC
Available for 2-2x and 4x models only



HSUR



Typical SUR410 Installation



Solid Sawn Lumber Connectors

These products are available with additional corrosion protection. Additional products on this page may also be available with this option, check with Simpson Strong-Tie for details.

Joist Size	Model No.	Dimensions					Fasteners		DF/SP Species Header Allowable Loads				SPF/HF Species Header Allowable Loads				Code Ref.
		W	H	B	A ₁	A ₂	Face	Joist	Uplift (160)	Floor (100)	Snow (115)	Const (125)	Uplift (160)	Floor (100)	Snow (115)	Const (125)	
2x4	SUR/L24	1 ¹ / ₁₆	3 ¹ / ₂	2	1 ¹ / ₈	1 ¹ / ₄	4-16d	4-10dx1 ¹ / ₂	450	530	610	665	450	460	530	575	17, F6
2x6, 8	SUR/L26	1 ¹ / ₁₆	5	2	1 ¹ / ₈	1 ¹ / ₂	6-16d	6-10dx1 ¹ / ₂	765	800	960	1000	750	690	795	860	
2x10, 12	SUR/L210	1 ¹ / ₁₆	8 ¹ / ₈	2	1 ¹ / ₈	1 ¹ / ₂	10-16d	10-10dx1 ¹ / ₂	1250	1330	1530	1660	1250	1150	1320	1440	
2x14	SUR/L214	1 ¹ / ₁₆	10	2	1 ¹ / ₈	1 ¹ / ₂	12-16d	12-10dx1 ¹ / ₂	1730	1595	1835	1995	1500	1380	1585	1725	
3x10, 12	SUR/L2.56/9	2 ¹ / ₁₆	8 ¹ / ₁₆	3 ¹ / ₁₆	1 ¹ / ₂	2	14-16d	2-10dx1 ¹ / ₂	225	2015	2280	2465	190	1735	1960	2120	170
3x14	SUR/L2.56/11	2 ¹ / ₁₆	11 ¹ / ₁₆	3 ¹ / ₁₆	1 ¹ / ₂	2 ¹ / ₈	16-16d	2-10dx1 ¹ / ₂	225	2305	2610	2665	180	1980	2245	2290	
(2) 2x6, 8	SUR/L26-2	3 ¹ / ₈	4 ¹ / ₁₆	2 ⁵ / ₈	1 ⁷ / ₁₆	2 ³ / ₈	8-16d	4-16dx2 ¹ / ₂	815	1065	1225	1330	735	920	1005	1005	17, F6
(2) 2x6, 8	HSUR/L26-2	3 ¹ / ₈	4 ¹ / ₁₆	2 ⁷ / ₁₆	1 ¹ / ₄	2 ³ / ₁₆	12-16d	4-16dx2 ¹ / ₂	815	1610	1850	2000	740	1390	1600	1740	
(2) 2x10, 12	SUR/L210-2	3 ¹ / ₈	8 ¹ / ₁₆	2 ⁵ / ₈	1 ⁷ / ₁₆	2 ³ / ₈	14-16d	6-16dx2 ¹ / ₂	1275	1860	2140	2330	1105	1610	1850	2010	
(2) 2x10, 12	HSUR/L210-2	3 ¹ / ₈	8 ¹ / ₁₆	2 ⁷ / ₁₆	1 ¹ / ₄	2 ³ / ₁₆	20-16d	6-16dx2 ¹ / ₂	1285	2680	3080	3350	1115	2320	2670	2900	
(2) 2x14	HSUR/L214-2	3 ¹ / ₈	12 ¹ / ₁₆	2 ⁷ / ₁₆	1 ¹ / ₄	2 ³ / ₁₆	26-16d	8-16dx2 ¹ / ₂	1715	3485	4005	4355	1485	3015	3470	3770	170
4x6, 8	SUR/L46	3 ¹ / ₁₆	4 ³ / ₄	2 ⁵ / ₈	1	2 ³ / ₈	8-16d	4-16d	815	1065	1225	1330	735	920	1005	1005	
4x6, 8	HSUR/L46	3 ¹ / ₁₆	4 ³ / ₄	2 ⁷ / ₁₆	1	2 ³ / ₁₆	12-16d	4-16d	815	1610	1850	2000	740	1390	1600	1740	17, F6
4x10, 12	SUR/L410	3 ¹ / ₁₆	8 ¹ / ₂	2 ⁵ / ₈	1	2 ³ / ₈	14-16d	6-16d	1275	1860	2140	2330	1105	1610	1850	2010	19, F8
4x10, 12	HSUR/L410	3 ¹ / ₁₆	8 ¹ / ₂	2 ⁷ / ₁₆	1	2 ³ / ₁₆	20-16d	6-16d	1285	2680	3080	3350	1115	2320	2670	2900	
4x14	SUR/L414	3 ¹ / ₁₆	12 ¹ / ₂	2 ⁵ / ₈	1	2 ³ / ₈	18-16d	8-16d	1700	2395	2500	2500	1470	1795	1795	1795	17, F6
4x14	HSUR/L414	3 ¹ / ₁₆	12 ¹ / ₂	2 ⁷ / ₁₆	1	2 ³ / ₁₆	26-16d	8-16d	1715	3485	4005	4355	1485	3015	3470	3770	

1. Uplift loads have been increased by 60% for wind or earthquake loading with no further increase allowed; reduce where other loads govern.
2. Roof loads are 125% of floor loads unless limited by other criteria.
3. Truss chord cross-grain tension may limit allowable loads. Refer to technical bulletins T-ANSITPISPF, T-ANSITPISP and T-ANSITPIDF for allowable loads that consider ANSI/TPI 1-2007 wood member design criteria (see page 191 for details).
4. **NAILS:** 16d = 0.162" dia. x 3¹/₂" long, 16dx2¹/₂ = 0.162" dia. x 2¹/₂" long, 10dx1¹/₂ = 0.148" dia. x 1¹/₂" long. See page 16-17 for other nail sizes and information.