

Donn® Air Diffuser

Features

The DONN® brand air diffuser provides air delivery and return for the ceiling system. Air is supplied through the lay-in diffuser, which is placed on the 2' x 2', narrow-suspension module. The plenum rests on the diffuser, which completes the installation.

The diffuser can be used for return air as well as supply. However, air is more commonly returned through slots in light fixtures, a method which also helps cool lamps to more efficient operating temperatures.

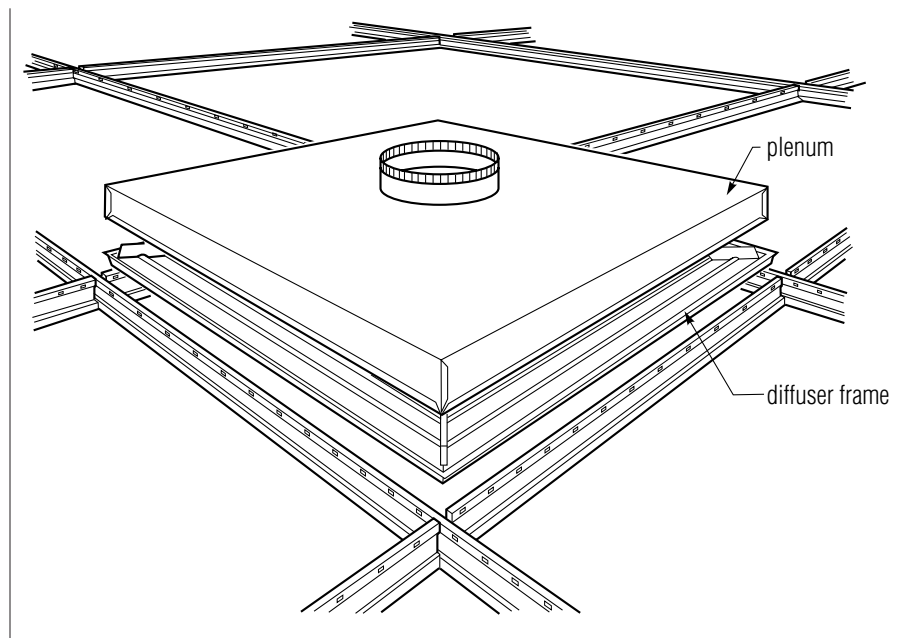
Components **Diffuser**

- The DONN air diffuser interfaces with the ceiling surface to maintain visual appeal and provide a clean, discreet slot for air flow.
- Designed to fit flush with FINELINE® suspensions and to provide a slight reveal edge for a bolder look with CENTRICITEE™ suspensions.
- Four-way throw capability provides optimum directional control.
- Available in one-, two-, three-, or four-slot versions for maximum flexibility in air delivery.

Plenum

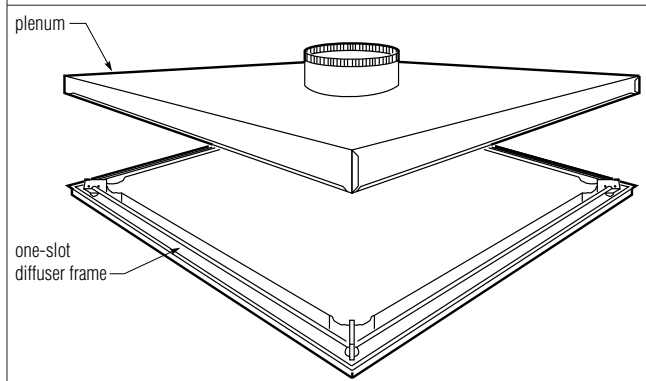
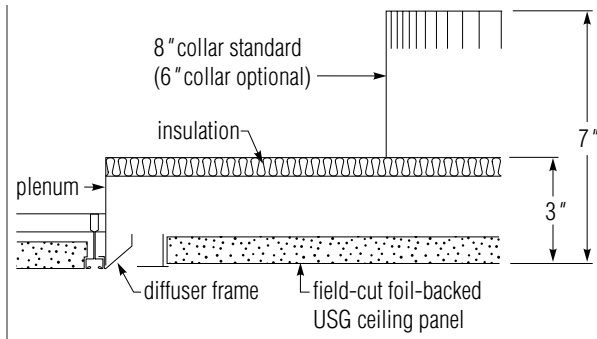
The DONN air diffuser plenum is internally insulated and made of galvanized steel. The plenum nests into the diffuser frame and is available with standard collar sizes to suit air delivery requirements

Details

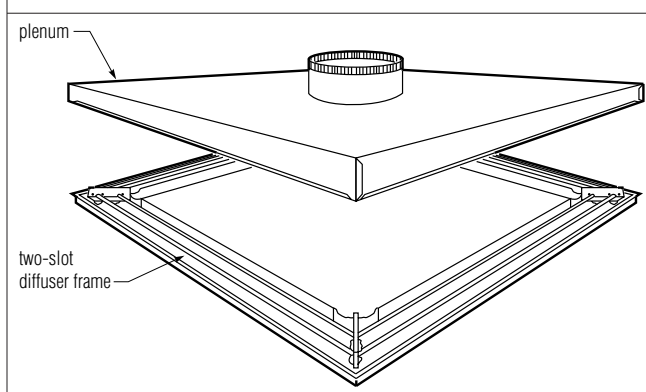
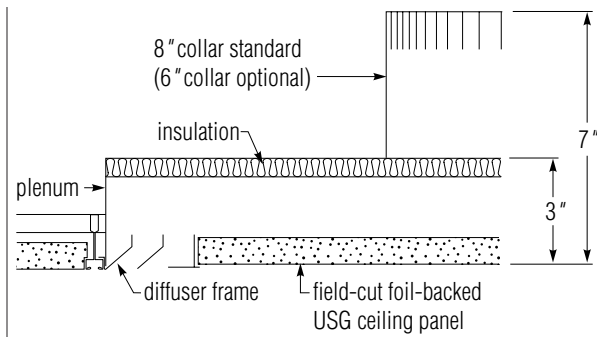


Donn® Air Diffuser

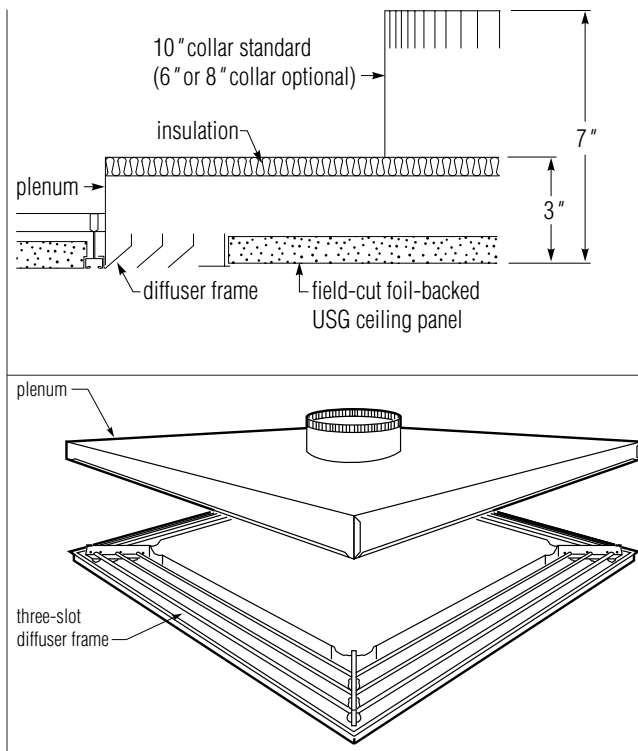
One-Slot Diffuser



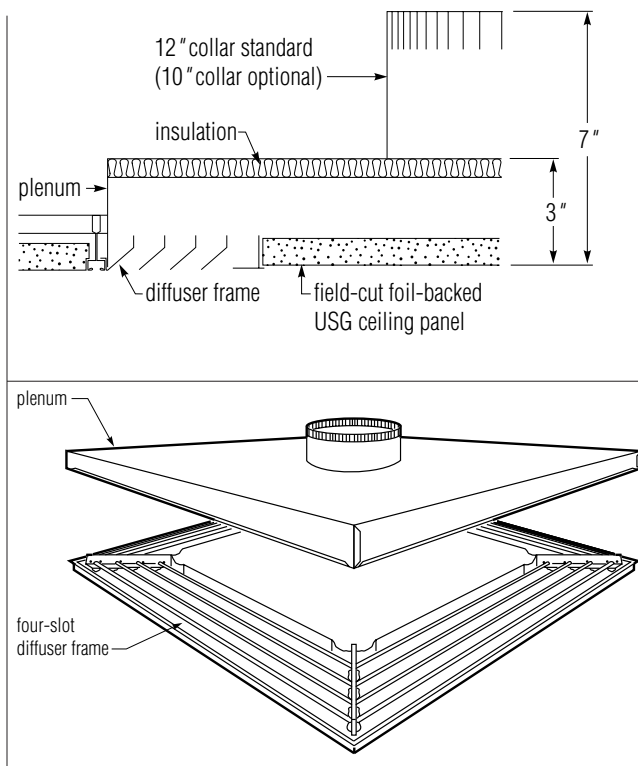
Two-Slot Diffuser



Three-Slot Diffuser



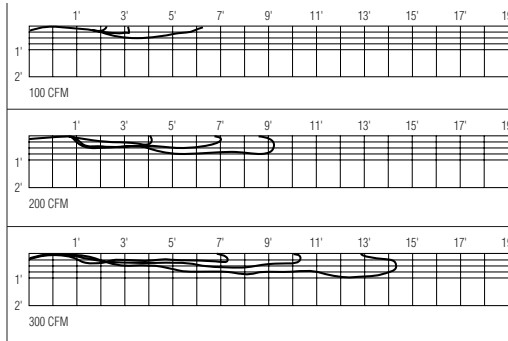
Four-Slot Diffuser



Donn® Air Diffuser

**DONN
One-Slot
Air Diffuser**

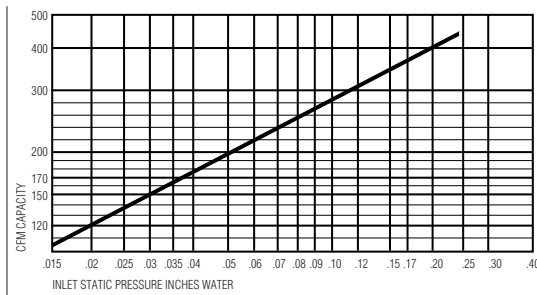
Air Throw



Note: Terminal velocity 50 FPM.

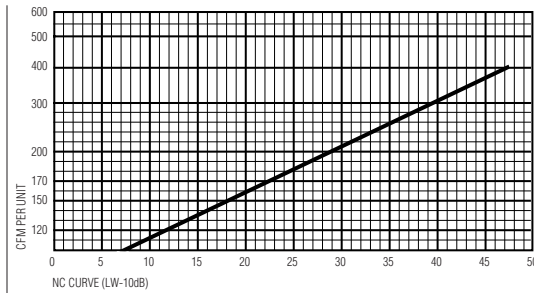
Test Report No. 457880

Static Pressure



Test Report No. 457880

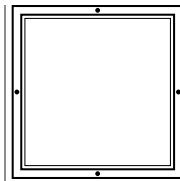
Noise Criteria



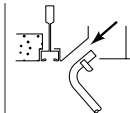
Test Report No. 457880

**Balancing Air
Diffusers
 $A_k = .238$**

**Velometer Measurement
Points**



**Probe Location
(3002 Velometer Probe)**



Note: When balancing the units, use the average of the readings at each probe location.

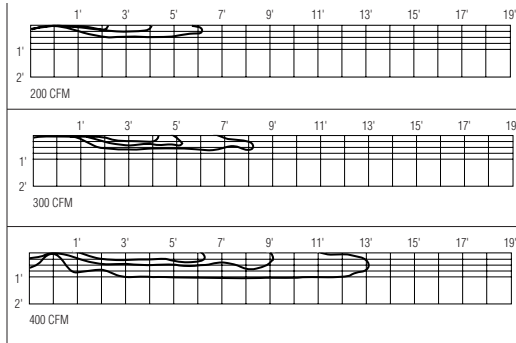
Return-Air Data

One-Slot Diffuser

Open Area Sq. Ft.	.31
CFM Capacity @ 500 FPM	150
Collar Size if Ducted	8"

**DONN
Two-Slot
Air Diffuser**

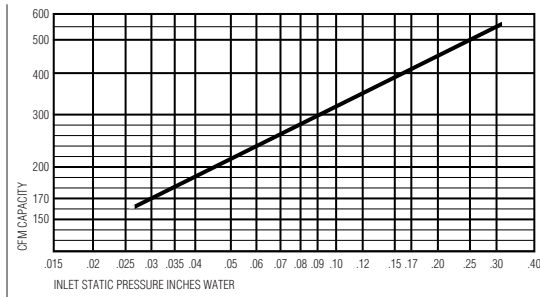
Air Throw



Note: Terminal velocity 50 FPM.

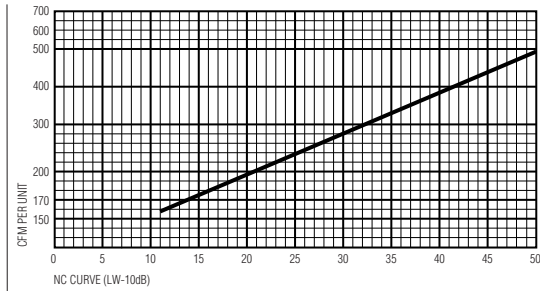
Test Report No. 457880

Static Pressure



Test Report No. 457880

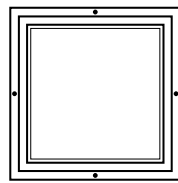
Noise Criteria



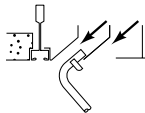
Test Report No. 457880

**Balancing Air
Diffusers
 $A_k = .413$**

**Velometer Measurement
Points**



**Probe Location
(3002 Velometer Probe)**



Note: When balancing the units, use the average of the readings at each probe location.

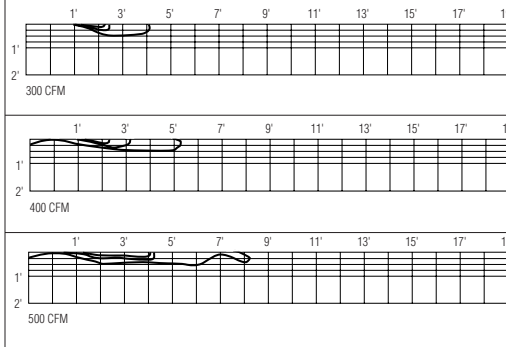
Return-Air Data

Two-Slot Diffuser	
Open Area Sq. Ft.	.59
CFM Capacity @ 500 FPM	290
Collar Size if Ducted	10"

Donn® Air Diffuser

**DONN
Three-Slot
Air Diffuser**

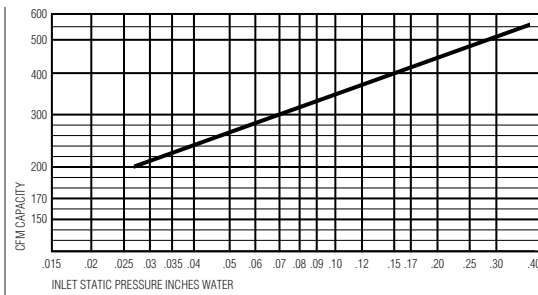
Air Throw



Note: Terminal velocity 50 FPM.

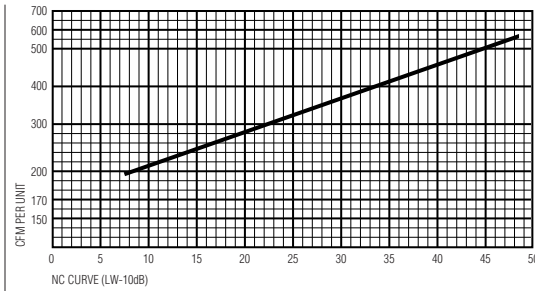
Test Report No. 457880

Static Pressure



Test Report No. 457880

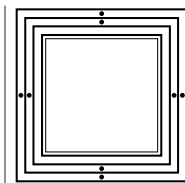
Noise Criteria



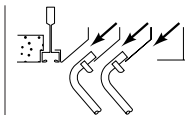
Test Report No. 457880

**Balancing Air
Diffusers
 $A_k = .344$**

**Velometer Measurement
Points**



**Probe Location
(3002 Velometer Probe)**



Note: When balancing the units, use the average of the readings at each probe location.

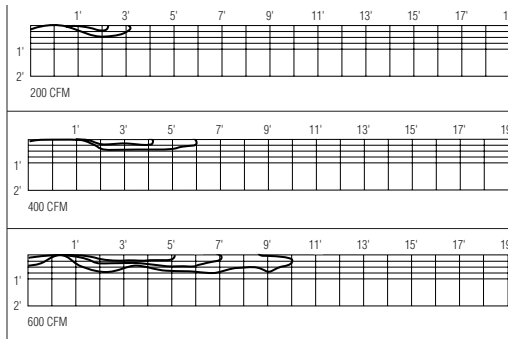
Return-Air Data

Three-Slot Diffuser

Open Area Sq. Ft.	.84
CFM Capacity @ 500 FPM	420
Collar Size if Ducted	12"

**DONN
Four-Slot
Air Diffuser**

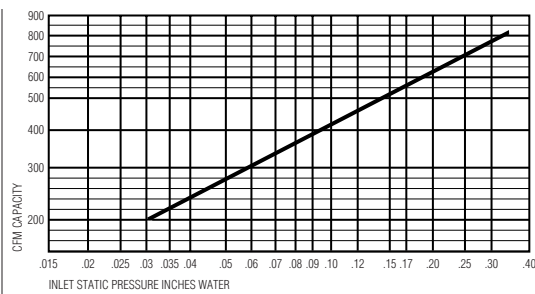
Air Throw



Note: Terminal velocity 50 FPM.

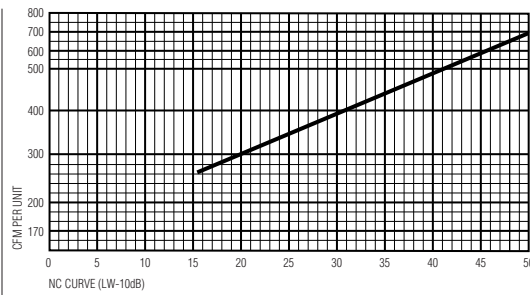
Test Report No. 457880

Static Pressure



Test Report No. 457880

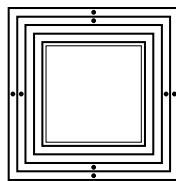
Noise Criteria



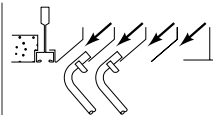
Test Report No. 457880

**Balancing Air
Diffusers
 $A_k = .317$**

**Velometer Measurement
Points**



**Probe Location
(3002 Velometer Probe)**



Note: When balancing the units, use the average of the readings at each probe location.

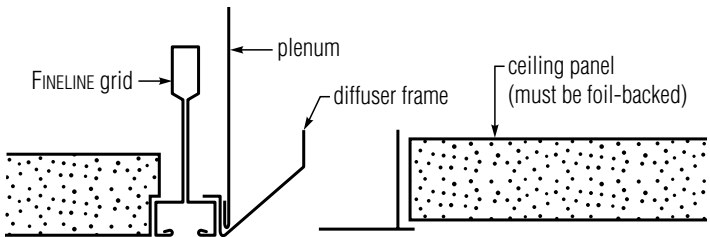
Return-Air Data

Four-Slot Diffuser

Open Area Sq. Ft.	1.06
CFM Capacity @ 500 FPM	530
Collar Size if Ducted	14"

**Suspension
Interface**

FINELINE Suspension



CENTRICITEE™ Suspension

