



Suspension Systems
For Curved Drywall Ceilings

USG Drywall Suspension System



Features and Benefits

- Drywall suspension system simplifies the design and construction of curved drywall ceilings.
- Pre-engineered curves ensure correct installation.
- Pre-engineered, custom components allow easy changes in ceiling elevations and transitions between ceiling types.
- Hot-dipped galvanized system suitable for interior and exterior applications.
- 30-year lifetime limited warranty on suspension system when used with SHEETROCK® Brand Gypsum Panels ensures owner satisfaction.

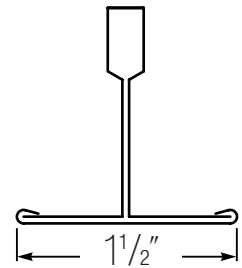
Applications

- General use areas
- Domes
- Vaults



- System meets or exceeds UL load compliance specifications per ASTM C635.

Profile

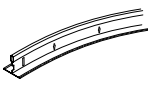
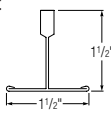
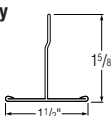


USG Drywall Suspension System

Suspension Systems
For Curved Drywall Ceilings

Technical Service 800.USG.4YOU
Web Site www.usg.com
Samples/Literature 888.874.2450
Samples/Literature Fax 888.874.2348
Customer Service 800.950.3839
Literature Number AC3118

 UL Classified—Rated Load

System Components		ASTM Class per C635	Radius	Arc Length	Height	Item No.	Class	2' Hanger Spacing	4' Hanger Spacing
 Curved Main Tees	Vault 	16 lbs. ¹	31"-44"	6'	1-1/2"	DGW6VTxx	Class A		16.0 lbs./LF
		16 lbs. ¹	45"-60"	8'	1-1/2"	DGW8VTxx	Class A		16.0 lbs./LF
		16 lbs. ¹	61"-72"	10'	1-1/2"	DGW10VTxx	Class A		16.0 lbs./LF
		16 lbs. ¹	73"-91"	10'	1-1/2"	DGW10VTxx	Class A		16.0 lbs./LF
		16 lbs. ¹	92"-239"	10'	1-1/2"	DGW10VTxx	Class A		16.0 lbs./LF
		16 lbs. ¹	240"+	12'	1-1/2"	DGW12VTxx	Class A		16.0 lbs./LF
	Valley 	16 lbs. ²	31"-44"	6'	1-1/2"	DGW6VYxx	Class A	16.0 lbs./LF	
		16 lbs. ²	45"-60"	8'	1-1/2"	DGW8VYxx	Class A	16.0 lbs./LF	
		16 lbs. ²	61"-72"	10'	1-1/2"	DGW10VYxx	Class A	16.0 lbs./LF	
		16 lbs. ²	73"-91"	10'	1-1/2"	DGW10VYxx	Class A	16.0 lbs./LF	
		16 lbs. ²	92"-239"	10'	1-1/2"	DGW10VYxx	Class A	16.0 lbs./LF	
		16 lbs. ²	240"+	12'	1-1/2"	DGW10VYxx	Class A	16.0 lbs./LF	

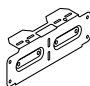

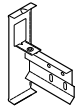
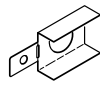
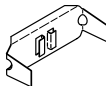

¹ As tested per independent testing agency, both vault and valley main tees can carry 16 pounds per lineal foot.

² As tested per independent testing agency, valleys require hanger wire spacing of 2' on center.

Cross Tees

See Flat Ceilings (AC3117) for information on straight cross tees, cross channel, and moldings.

Accessories

DGSC-180 Splice Clip	DGTC-90 Transition Clip	DGC4, DGC6, DGC8 COMPASSO™ Drywall Clip	DGWC Wall Attachment Clip	DGSP-180 Splice Plate
				
DGHUB Dome Hub 				

Finishes

Galvanized.

Material

Double web tee, hot-dipped galvanized steel.

Recycled content

25%. For details, see the Recycled Content selector.

Installation

Must be installed in compliance with ASTM C636, CISCA, and standard industry practices.

Limitations

Severe Environmental Requirements. For exterior applications, suspension systems should be reviewed by an engineer.

Footnotes

1. For detailing and module loading, request AC3152.

SAFETY FIRST!

Follow good safety practices. Read material safety data sheets and related literature on products before specification and/or installation.



Manufactured by
USG Interiors, Inc.
125 South Franklin Street
Chicago, IL 60606

The following are trademarks of USG Interiors, Inc., or a related company:
DONN, SHEETROCK, USG.

AC3118/rev. 6-04
© 2004, USG Interiors, Inc.
Printed in U.S.A.