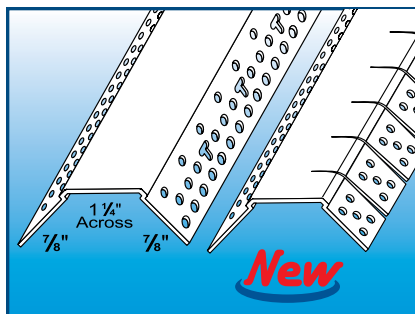


# 16 Chamfer Beads



## CHAMFER BEAD™

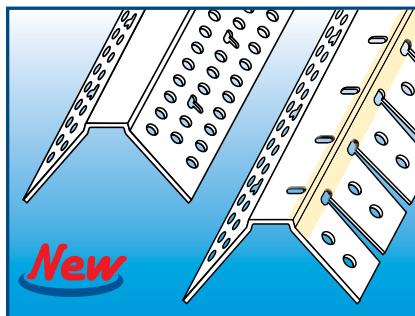
- The chamfered edge softens the room while maintaining the crisp look of a square corner.
- The rigid vinyl corner is also safer than a sharp square metal corner.

STOCK No.	LENGTH	Pcs. PER BOX
9508	8'	30
9509	9'	30
9510	10'	30

## CHAMFER ARCH™

- Designed to perfectly fit our 9510 Chamfer Bead
- Can finish an inside radius as small as 18"
- Notched to conform to archways and curves

STOCK No.	LENGTH	Pcs. PER BOX
9558	8'	30
9559	9'	30
9550	10'	30



## 350 CHAMFER BEAD™

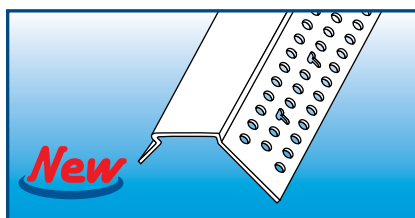
- The same great look of our standard Chamfer Bead in a narrower, more subtle 3/4" wide profile.

STOCK No.	LENGTH	Pcs. PER BOX
9608	8'	30
9609	9'	30
9610	10'	30

## 350 CHAMFER ARCH™

- The 350 Chamfer Arch is designed to perfectly match our new 350 Chamfer Bead.

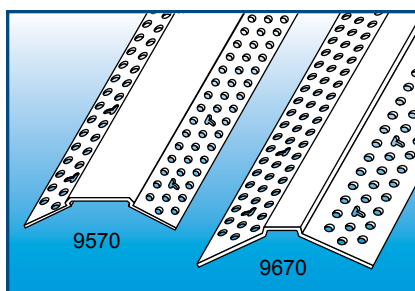
STOCK No.	LENGTH	Pcs. PER BOX
9650	10'	30



## CHAMFER KERFED

- Available for 1/2" or 5/8" drywall.
- The chamfer kerfed can be used to finish windows and doors with kerfed channels.
- Complements either chamfer bead or 350 chamfer bead.

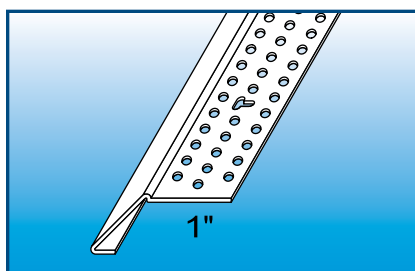
STOCK No.	SIZE	LENGTH	Pcs. PER BOX
9589	1/2"	9'	30
9580	1/2"	10'	30
9599	5/8"	9'	30
9590	5/8"	10'	30



## CHAMFER SPLAYED™ & 350 CHAMFER SPLAYED™

- Our Chamfer Bead and 350 Chamfer Bead are now available in a splayed version to fit standard 135° outside corners.

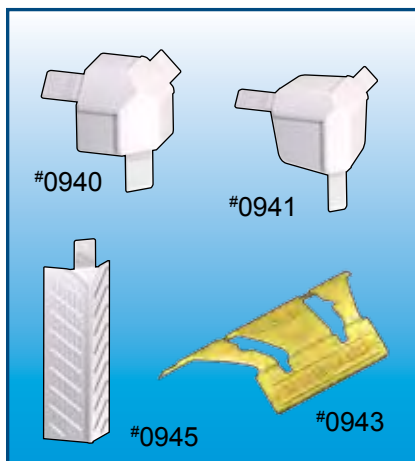
STOCK No.	LENGTH	Pcs. PER BOX
9570	10'	20
9670	10'	20



## CHAMFER STOP™

- Chamfer Stop is designed to be installed after the drywall. There is no need to wrap the bead behind the drywall.
- Use Chamfer Stop for creating beautiful multilayer drywall effects. Instead of wood moldings, Chamfer Stop is perfect for finishing windows and doors.

STOCK No.	SIZE	LENGTH	Pcs. PER BOX
9530M	1/2"	10'	10
9530	1/2"	10'	30
9520M	5/8"	10'	10
9520	5/8"	10'	30



## 0940 & 0941 - CHAMFER 3 WAY™

### 0945 - CHAMFER ADAPTER

### 0943 - CHAMFER MARKER™

- The Chamfer 3 Way is designed to finish an outside corner where 3 Chamfer Beads meet at 90°. 0940 is designed for our standard Chamfer Bead and 0941 is for our 350 Chamfer Bead.
- The Chamfer Adapter is designed to be two products in one. It is ready to use to create a transition from our standard Chamfer Bead to a square outside corner to simplify baseboard installation. It can also be easily cut along a marked score line to fit our smaller 350 Chamfer Bead.
- Chamfer Marker allows you to cope 90° and 135° inside off angles quickly and easily.

STOCK No.	Pcs. PER BOX
0940M	10
0940	50
0941M	10
0941	50
0943M	10
0943	40
0945M	10
0945	50

U.S. PATENT # D 431,304