

ML24Z/ML26Z Angles

The ML angle combines strength and versatility through the use of Simpson Strong-Tie® Strong-Drive® screws (SDS). Fastener holes are staggered to minimize wood splitting and opposing hole patterns allows for back to back installation without fastener interference.

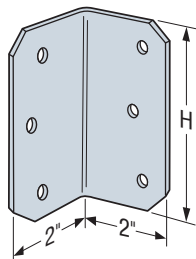
MATERIAL: 12 gauge

FINISH: ZMAX® coating, see Corrosion Information, page 10-11.

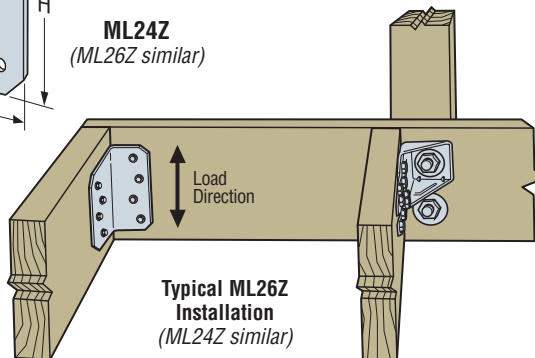
INSTALLATION: • Use all specified fasteners. See General Notes.

- Simpson Strong-Tie SDS ¼"x1½" are not provided with the angle.

CODES: See page 12 for Code Reference Key Chart.



ML24Z
(ML26Z similar)



Typical ML26Z Installation
(ML24Z similar)

These products are available with additional corrosion protection. Additional products on this page may also be available with this option, check with Simpson Strong-Tie for details.



Model No.	H	Fasteners (Total)	DF/SP Allowable Loads				SPF/HF Allowable Loads				Code Ref.
			(100)	(115)	(125)	(160)	(100)	(115)	(125)	(160)	
ML24Z	4	6-SDS ¼"x1½"	515	515	515	515	440	440	440	440	170
ML26Z	6	8-SDS ¼"x1½"	1000	1090	1090	1090	720	830	900	935	

1. Allowable loads have been increased as allowed by Code with no further increases allowed.

DECK SPACERS™ Deck Board Spacing

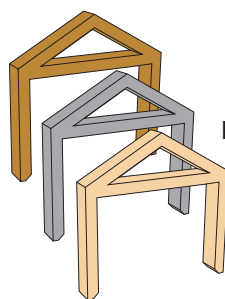
Deck Spacers are small plastic spacers that easily clip onto deck joists during installation to ensure evenly spaced deck boards, enabling quicker installation and reducing labor costs. Deck Spacers are ideal for composite decking and help meet manufacturer warranty requirements. They stay on the joist permanently to help shed debris and moisture off of deck joists for easier wet or dry cleaning. For more information request flier F-DECKSPCR (see page 191 for details).

Features:

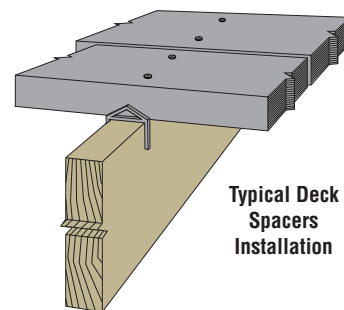
- Provides permanent deck board spacing.
- Quickly and easily snap into place.
- Meet composite decking warranty requirements for spacing.
- UV materials last the life of deck.
- 3 colors to match decking: Gray, Brown and Tan.

INSTALLATION:

- Position the first deck board and fasten.
- Position Deck Spacers on the deck joists, and slide next deck board snugly against the spacer.
- Fasten deck board with appropriate fasteners and repeat the process.



Deck Spacers
U.S. Patent 6,647,638



Typical Deck Spacers Installation

Model No.	Spacing Thickness (in)	Color	Package Quantities
DSGRAY-R100	¼	Gray	100
DSGRAY-R500			500
DSBRN-R100		Brown	100
DSBRN-R500			500
DSTAN-R100		Tan	100
DSTAN-R500			500

PGT® Pipe Grip Ties®

Pipe Grip Ties attach wood fence rails to metal fence posts, eliminating rotted and failed wood posts. The PGT is suitable for standard applications as well as corners and splices.

The PGTIC2Z-R is an interior corner pipe grip tie.

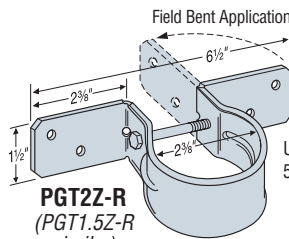
The PGT1.5Z-R is for 1½" pipe (1⅞" outside diameter), and the PGT2Z-R for 2" pipe (2⅜" outside diameter).

MATERIAL: 12 gauge

FINISH: ZMAX® coating, also available in G90.

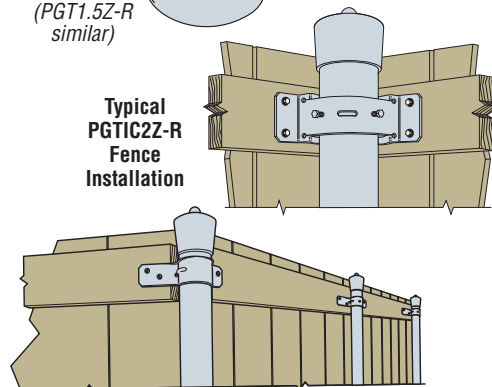
INSTALLATION: • Use all specified fasteners. See General Notes.

- PGTIC2Z-R to Post – Install two set screws (supplied) with ⅝" socket in predrilled holes.
- PGTIC2Z-R to Rails – Use Simpson Strong-Tie® Strong-Drive® ¼"x1½" wood screws (SDS) (not supplied).
- Install on vertical pipes, offsetting corners to allow for the correct rail alignment.
- Use 3 to 4 PGTs per pipe; line up to stringline.
- Fasten PGT with ¼" hex head bolt (supplied).
- PGT attaches to rails with four Simpson Strong-Tie SDS ¼"x1½" HDG wood screws (not supplied). See page 20 for SDS screw information.
- ¼" lag bolts may be used. Follow the code requirements for predrilling.
- Nail fence boards to rails.
- Field bend PGT flanges to fit corner and angled conditions (bend one time only).

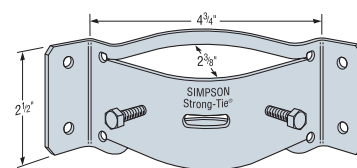


PGT2Z-R
(PGT1.5Z-R similar)

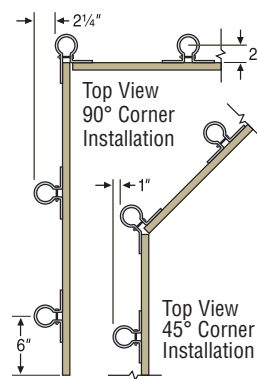
U.S. Patent 5,297,890



Typical PGT2Z-R Fence Installation



PGTIC2Z-R



Corner Installation Top View