

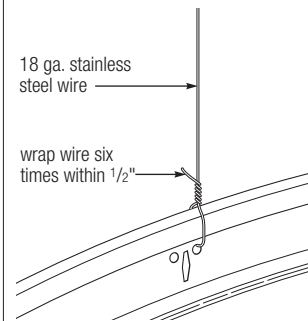
# Exposed Hanger Solutions



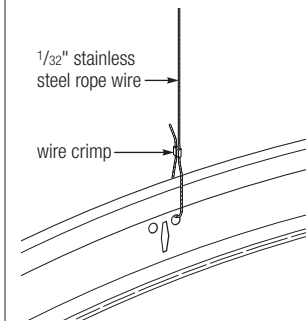
## For Decorative Ceiling Elements

**Hanger  
Options**

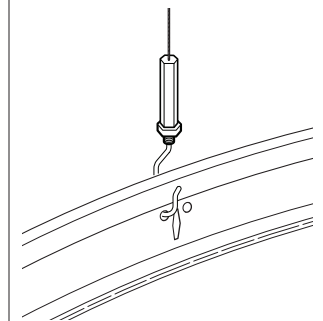
**18-Gauge Stainless Steel Wire  
with Twisted-Tie Connection**



**1/32" Stainless Steel Rope Wire  
with Loop and Crimp-End Connection**

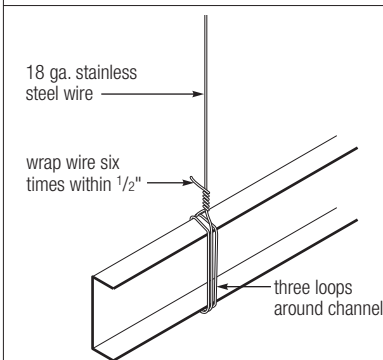


**1/32" Stainless Steel Rope Wire  
with Turnbuckle**

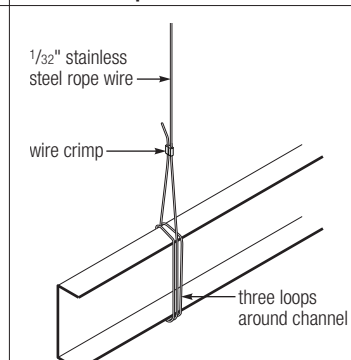


Applications: Suitable for use with C<sup>2</sup> paired COMPASSO™ channels, and CURVATURA™, CURVATURA™ Elite and TOPO™ systems. CURVATURA systems must use infill panels made of solid or perforated aluminum, Diamondflex, Brass or Stainless Steel wire mesh, or TRANSLUCENTS™ Lexan™ or FRP.

**18-Gauge Stainless Steel Wire**



**1/32" Stainless Steel Rope Wire  
with Wire Crimp**



Applications: Suitable for use with LIBRETTO™ gridless metal ceiling system.

**ASTM  
Designations**

- 18-gauge stainless steel meets ASTM Designation A580: Standard Specification for Stainless Steel Wire.
- 1/32" rope wire meets ASTM Designation A492: Standard Specification for Stainless Steel Rope Wire.

**Features and  
Benefits**

- Provides an attractive alternative to standard 12-gauge wires
- Less visible for more finished, discreet appearance
- Installs quickly and easily
- Meets or exceeds manufacturer's recommendations; see load matrix on next page

Connection Spacing and Termination Method	Infill Panel Options	System Weight (lbs./sq. ft.)	Maximum Uniform Load On Carriers (lbs./lin. ft.)		
			Hanger Spacing (along main tee or carrier)		
			4'	3'	2'
<b>CURVATURA System</b>	Aluminum (solid and perforated)	0.5	7.5	10	15
	DIAMONDFLEX	0.6	7.5	10	15
	Brass and Stainless Steel wire mesh	0.6	7.5	10	15
	TRANSLUCENTS (Lexan or FRP)	0.6	7.5	10	15
<b>LIBRETTO Gridless Metal Ceiling System</b>	Solid and perforated	0.6	7.5	10	—
<b>TOPO System</b>	TOPO infill	0.5	7.5	10	15

	Trim	(lbs./lin. ft.)	4'	3'	2'
<b>C² Paired COMPASSO Channels</b>	8"	3.5	7.5	10	15

**Notes:**

- Quality of wire connection can vary widely depending on field conditions, equipment and user experience. Installer must determine safe connection spacing and means for loads to be encountered.
- 30 lbs. per 18-gauge wire and 1/32" stainless steel rope wire is the maximum recommended load including any additional or live load during installation.
- Suitability of decorative ceiling hanger devices must be determined by user. These are not to be used where hangers must conform to ASTM C636, "Standard Practice for Installation of Metal Ceiling Suspension System for Acoustical Tile and Lay-In Panels."

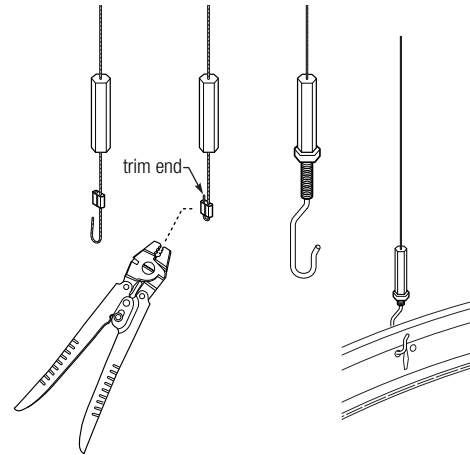
Installation	18-Gauge Stainless Steel	Twisted-Tie Connection	Detail
		Six complete twists inside 1/2", first loop to third loop.	
	<b>1/32" Stainless Steel Rope Wire</b>	<b>Loop and Crimp-End Connection</b> Feed rope wire down through one side of oval crimp (USG Part No. 205241), through hanger hole on tee or bracket and back up through other side of oval crimp. Using crimper (USG Part No. 202880), fully compress oval two times, one above the other, using smallest notch of tool. Crimp cannot be undone, so be sure tee or bracket is in correct location before pinching oval closed.	

**Turnbuckle Connection**

Feed rope wire down through turnbuckle sleeve and into one barrel of oval crimp (USG Part No. 205241); bend rope wire end to form a hook. Pull bent rope wire back up, feeding short side of hook into second barrel of oval crimp; trim any excess rope wire. Using crimper (USG Part No. 202880), fully compress oval two times, one above the other, using smallest notch of tool. Draw rope wire back through turnbuckle sleeve, pulling compressed crimp all the way in.

Screw nut about halfway onto threaded turnbuckle shaft and hook turnbuckle into hanger hole on tee or bracket. Screw sleeve onto threaded turnbuckle shaft and adjust as necessary (turnbuckle provides approximately 3/8" vertical adjustment).

**Detail**



**Product Information**

See usg.com for the most up-to-date product information.

**Note**

All products described here may not be available in all geographic markets and are subject to change without notice. Consult your local sales office or representative for information.

**Trademarks**

The following are trademarks of USG Interiors, Inc. or a related company: COMPASSO, CURVATURA, LIBRETTO, TOPO, TRANSLUCENTS, USG. Lexan is a trademark of General Electric Company.

**Notice**

We shall not be liable for incidental or consequential damages, directly or indirectly sustained, nor for any loss

caused by application of these goods not in accordance with current printed instruction or for other than intended use. Our liability is expressly limited to replacement of defective goods. Any claim shall be deemed waived unless made in writing to us within thirty (30) days from date it was or reasonably should have been discovered.

**Safety First!**

Follow good safety/industrial hygiene practices during installation. Wear appropriate personal protective equipment. Read MSDS and literature before specification and installation.

