**J BEAD**

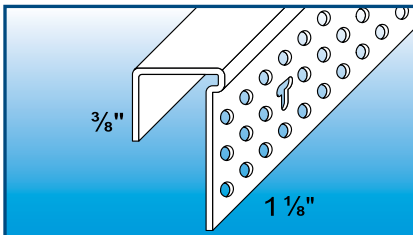
- Use J Bead to finish rough drywall ends and under all door and window encasements.
- Trim-Tex's first product that launched rigid vinyl into the drywall industry 40 years ago.

STOCK No.	SIZE	LENGTH	Pcs. PER BOX
2008	1/4"	8'	50
2010	1/4"	10'	50
1008	3/8"	8'	50
1010	3/8"	10'	50
1108	1/2"	8'	50
1110	1/2"	10'	50
1112	1/2"	12'	50
1208	5/8"	8'	50
1210	5/8"	10'	50
1212	5/8"	12'	50
2408	3/4"	8'	50
2410	3/4"	10'	50
2510	7/8"	10'	35
2608	1"	8'	35
2610	1"	10'	35

SHADOW LINE J BEAD

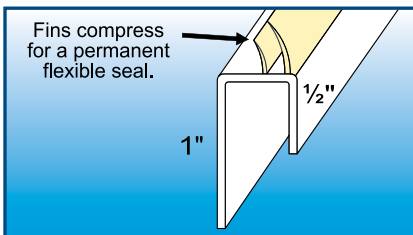
- Use Shadow Line J Bead to form a distinctive edge along the drywall for a modern look.

STOCK No.	SIZE	LENGTH	Pcs. PER BOX
1308	1/2"	8'	50
1310	1/2"	10'	50
1408	5/8"	8'	50
1410	5/8"	10'	50

**MUD ON J BEAD**

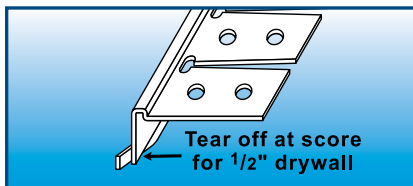
- Mud on J Bead is designed for butting drywall to other substrates such as masonry, glass, doors & windows.
- Perfect for skylight shafts

STOCK No.	SIZE	LENGTH	Pcs. PER BOX
1708	1/2"	8'	50
1710	1/2"	10'	50
1808	5/8"	8'	50
1810	5/8"	10'	50

**SUPER SEAL J BEAD**

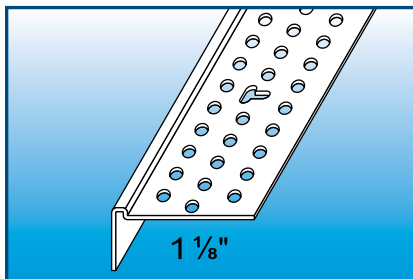
- Super Seal J Bead has 2 flexible fins that compress to form a permanent flexible seal against windows and doors.

STOCK No.	SIZE	LENGTH	Pcs. PER BOX
1510	1/2"	10'	30
1610	5/8"	10'	30

**ARCHWAY L BEAD**

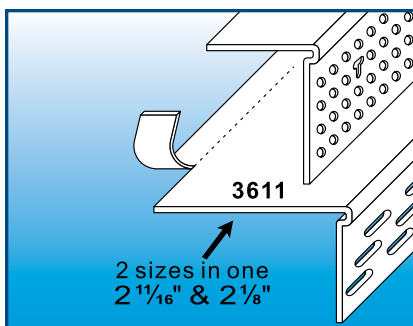
- Trim-Tex always strives to design products that are unique and user friendly. We continue this proud tradition with Archway L Bead. Especially useful for finishing columns and free-form drywall art.

STOCK No.	SIZE	LENGTH	Pcs. PER BOX
3299	1/2" & 5/8"	10'	50
3299M	1/2" & 5/8"	10'	20

**L BEAD**

- Trim-Tex, the pioneer of vinyl L Beads, offers the largest assortment of L Beads in the industry to fit your finishing needs.
- 3210S Special L Bead is designed to be used with 1/2 inch deep Shadow Bead to create a floating expansion reveal.

STOCK No.	SIZE	LENGTH	Pcs. PER BOX
3206	3/8"	10'	80
3208	1/2"	8'	80
3210M	1/2"	10'	20
3210	1/2"	10'	80
3210S	7/16"	10'	50
3308	5/8"	8'	80
3310M	5/8"	10'	20
3310	5/8"	10'	80

**OVERSIZED L BEADS**

- Oversized L Beads are designed as a labor saving system for finishing window returns and other details.
- 3/4"-1 1/4" beads now match the larger L Beads by including a longer 1 3/8" mud leg.

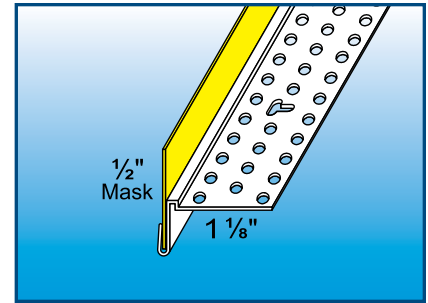
STOCK No.	SIZE	LENGTH	Pcs. PER BOX
3408	3/4"	8'	50
3410	3/4"	10'	50
3508	1"	8'	50
3510	1"	10'	50
3608	1 1/4"	8'	50
3610	1 1/4"	10'	50
3650	1 1/2"	10'	50
3611	2 11/16" & 2 1/8"	10'	30

PULLAWAY™ L BEAD

- Patented Pullaway L Bead sets the new standard in finishing drywall. The masking strip extends out 1/2" providing the widest area of protection in the industry.
- The pullaway strip is a masking as well as a guide for the taping knife. Use for butting drywall to other substrates.

STOCK No.	SIZE	LENGTH	Pcs. PER BOX
3008	1/2"	8'	35
3010	1/2"	10'	35
3012	1/2"	12'	35
3110	5/8"	10'	35

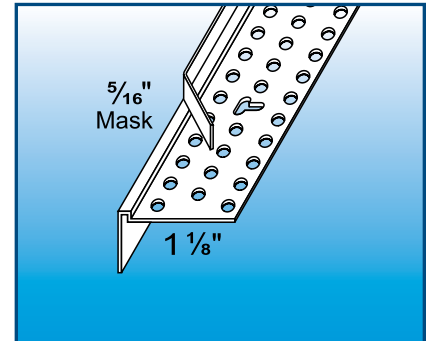
U.S. PATENT #5,243,797



TEAR AWAY™ L BEAD

- Comes with a full 5/16" tear-off leg that is one of the largest in the industry.
- The tear-off leg acts as a guide for the taping knife as well as a protective masking for mudding and painting.
- When finished, simply tear off the leg for a clean, sharp look.
- 9010 & 9110 now available in a greener, money saving bulk size

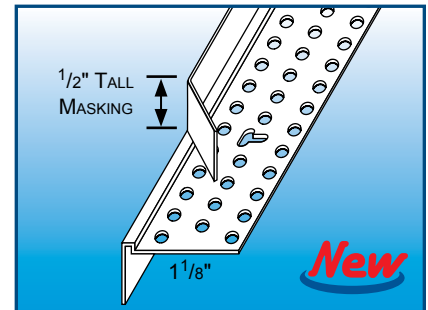
STOCK No.	SIZE	LENGTH	Pcs. PER BOX
9002	1/4"	10'	50
9004	3/8"	10'	50
9008	1/2"	8'	50
9010	1/2"	10'	50
9010-BULK	1/2"	10'	100
9012	1/2"	12'	50
9108	5/8"	8'	50
9110	5/8"	10'	50
9110-BULK	1/2"	10'	100
9310	1 1/4"	10'	25



TEAR AWAY™ XT (EXTRA TALL MASKING) L BEAD

- Comes with a full 1/2" tear off leg.
- Extra tall masking provides additional protection to your substrates from mud and paint
- When finished, simply tear off the masking leg for a clean, sharp look.

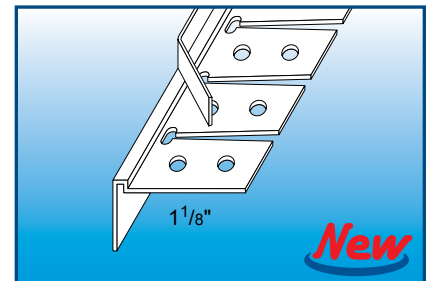
STOCK No.	SIZE	LENGTH	Pcs. PER BOX
9010XT	1/2"	10'	30
9110XT	5/8"	10'	30



ARCHWAY TEAR AWAY™ L BEAD

- The tear off leg acts as a guide for the taping knife as well as a protective masking for mudding and painting.
- Perfect for layering details Archway Tear Away is available for 1/2" and 5/8" drywall.

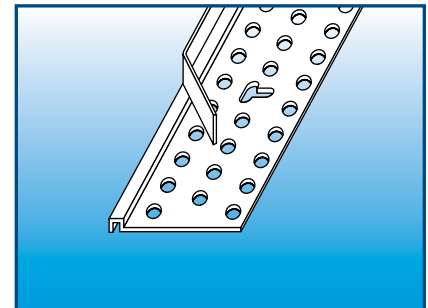
STOCK No.	SIZE	LENGTH	Pcs. PER BOX
9050	1/2"	10'	20
9150	5/8"	10'	20



FLAT TEAR AWAY™ L BEAD

- Flat Tear Away is designed for areas where the drywall has been butted too close to slip the return leg behind the drywall.

STOCK No.	SIZE	LENGTH	Pcs. PER BOX
9000	FLAT	10'	50



SUPER SEAL TEAR AWAY™ L BEAD

- Use on all windows and doors for insulation.
- The Super Seal Tear Away 5/16" semi round gasket compresses upon installation to form a permanent seal that effectively reduces sound transmission, replaces caulk and provides structural relief at the panel perimeter.

STOCK No.	SIZE	LENGTH	Pcs. PER BOX
9210	3/8"	10'	25

