

DJT14Z Deck Joist Tie

The DJT14Z Deck Joist Tie is designed to attach 2x deck joists to the side of 4x or lesser support posts. The DJT14Z can be installed with either nails or bolts.

MATERIAL: 14 gauge

FINISH: ZMAX® coating; see Corrosion Information, page 10-11.

INSTALLATION: • Use specified HDG fasteners. See General Notes.

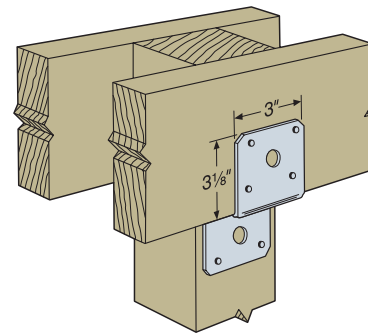
- Recommended: install on post first.
- Minimum 2x4 joist and 4x4 post.

CODES: See page 12 for Code Reference Key Chart.

These products are available with additional corrosion protection. Additional products on this page may also be available with this option, check with Simpson Strong-Tie for details.

Model No.	Fasteners		Allowable Loads				Code Ref.	
	Nails	Bolts		Nails		Bolts		
		Qty	Dia	Floor (100)	Roof (125)	Floor (100)		Roof (125)
DJT14Z	8-16d	2	5/8 MB	1100	1375	1400	1400	I18, F17

1. Loads are for one DJT14Z.
2. Roof loads are 125% of floor loads. Floor loads may be adjusted for other load durations according to the code, provided they do not exceed the roof loads.
3. **NAILS:** 16d = 0.162" dia. x 3 1/2" long. See page 16-17 for other nail sizes and information.



Typical DJT14Z Installation

DBT1Z Deck-Tie® Connectors

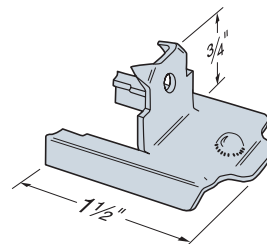
The DBT1Z deck-board tie provides a nail-free surface fastening system for deck boards. Eliminates countersinking, hammer dents, nail popping, ugly nail heads and rust stains on surface. Leaves an unbroken deck surface that is easy to sand and refinish when it's time for maintenance.

MATERIAL: 18 gauge

FINISH: ZMAX® coating; see Corrosion Information, page 10-11.

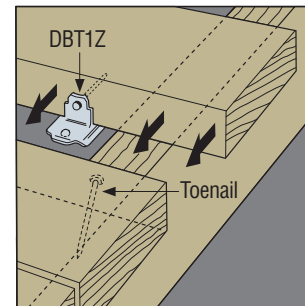
INSTALLATION: • Use specified HDG fasteners. See General Notes.

- **DBT1Z** Deck Board Tie: Position the DBT1Z with the locator prongs and install with a single 10d x 1 1/2" HDG nail. Other edge of deck board shall be toenailed (see drawing). Using dry lumber will minimize deck board movement after installation. Works with 2x deck boards, 5/4 deck boards (pre-drilling may be required), or composite deck boards a minimum 1" thick (pre-drilling may be required). To check number of DBT1Z multiply number of joists by number of deck boards. The DBT1Z will not prevent cupping, bowing or warping of deck boards.
- 1 box of 50 covers approximately 25 sq.ft. based on 6" deck boards on joists spaced at 16" on center.



DBT1Z

U.S. Patent 5,027,573
Canada Patent 2,015,733



Typical DBT1Z Installation
Connectors slide under anchored deck board.

TAZ Staircase Angles

For use in structurally-sound staircase framing. The TA eliminates costly conventional notching.

MATERIAL: 12 gauge

FINISH: ZMAX coating; see Corrosion Information, page 10-11.

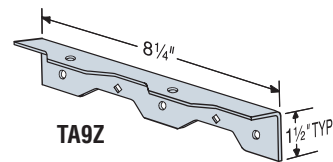
ORDER: May be ordered as kits with model numbers TA9ZKT and TA10ZKT. Each kit includes two ZMAX TA's and either double barrier coated or HDG Simpson SDS 1/4" x 1 1/2" screws.

CODES: See page 12 for Code Reference Key Chart.

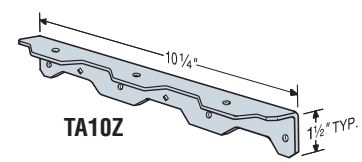
These products are available with additional corrosion protection. Additional products on this page may also be available with this option, check with Simpson Strong-Tie for details.

Model No.	Fasteners		Allowable Downloads DF/SP (100)	Code Ref.
	Stringer	Tread		
TA9Z	3-SDS 1/4"x1 1/2"	2-SDS 1/4"x1 1/2"	885	170
TA10Z	3-SDS 1/4"x1 1/2"	4-SDS 1/4"x1 1/2"	885	
TA10Z	4-SDS 1/4"x1 1/2"	3-SDS 1/4"x1 1/2"	1180	

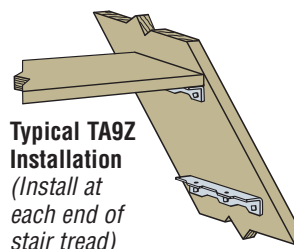
1. Loads may be adjusted for other load durations according to the code.
2. See page 20 for SDS screw information.



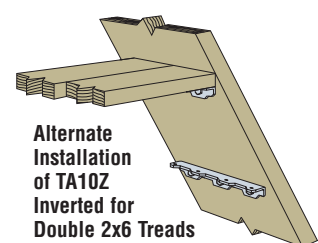
TA9Z



TA10Z



Typical TA9Z Installation
(Install at each end of stair tread)



Alternate Installation of TA10Z
Inverted for Double 2x6 Treads