

ARCHITECTURAL PRODUCTS GROUP

CONCEALED JOIST TIES

The CJT is a concealed connector. It can be installed three ways: with no routing of header/post or beam; a routed header/post, or a routed beam.

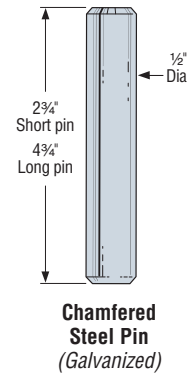
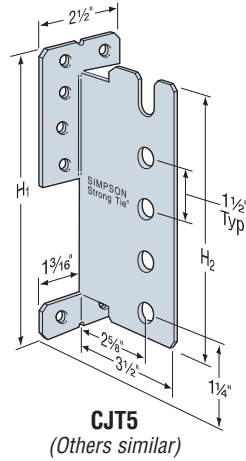
MATERIAL: 12 gauge **FINISH:** Galvanized

INSTALLATION: • Use all specified fasteners.
See General Notes.

- The CJT Pack is supplied with all pins and screws required. Screws require a hex head driver.
- Router end of beam for screw heads for flush installation.
- The joist/beam may be sloped to 45° with full table loads.
- To provide maximum beam width for use with short pins, center in beam.
- To order: specify short (e.g. CJT3S) or long pins (e.g. CJT3L) (see footnote #1 below).

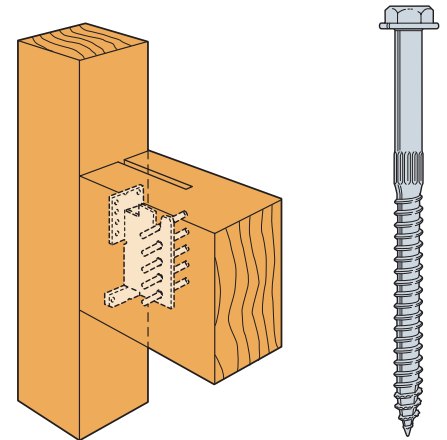
OPTIONS: See technical bulletin T-CJT (see page 191 for details).

CODES: See page 12 for Code Reference Key Chart.



WARNING:
This connector requires special attention to ensure correct installation. The beam must be installed perpendicular to the support member. The connection's components may be damaged if the beam is rotated from its opposite end during or after installation. Damaged components may not be noticeable and may reduce the connector's load carrying capacity.

Model No.	Min. Joist Size	Dimensions		SDS	Fasteners Pins (2 3/4" or 4 3/4") ²	Allowable Loads				Code Ref.
		H ₁	H ₂			Uplift (160)	Floor (100)	Snow (115)	Roof (125)	
DOUGLAS FIR										
CJT3	4x8	5 5/16	4 7/16	6	3	1655	1050	1050	1050	I18, F17
CJT4	4x10	7	5 15/16	8	4	2460	2440	2805	2815	
CJT5	4x12	8 9/16	7 7/16	10	5	3255	3005	3455	3755	
CJT6	4x12	10	8 15/16	12	6	4005	3535	3990	3990	
GLULAM BEAM										
CJT3	3 1/8 x 7 1/2	5 5/16	4 7/16	6	3	1655	1240	1240	1240	I18, F17
CJT4	3 1/8 x 9	7	5 15/16	8	4	2460	2440	2805	2900	
CJT5	3 1/8 x 10 1/2	8 9/16	7 7/16	10	5	3255	3005	3455	3755	
CJT6	3 1/8 x 12	10	8 15/16	12	6	4005	3535	4065	4420	
PSL										
CJT3	3 1/2 x 9 1/2	5 5/16	4 7/16	6	3	1655	1840	2115	2160	I18, F17
CJT4	3 1/2 x 9 1/2	7	5 15/16	8	4	2460	2145	2145	2145	
CJT5	3 1/2 x 9 1/2	8 9/16	7 7/16	10	5	3255	3005	3455	3755	
CJT6	3 1/2 x 11 7/8	10	8 15/16	12	6	4005	3535	4065	4420	



Typical CJT Installation
(Note that pins should be centered within beam)

SDS 1/4"x3"
U.S. Patent
6,109,850
5,897,280
5,044,853

1. Center pin in beam. Short pin (2 3/4") for use with 3 1/8 GLB, 4x sawn lumber or 3 1/2" wide PSL. Long pin (4 3/4") for use with 5 1/8 GLB, 6x sawn lumber or greater widths.
2. See technical bulletin T-CJT for additional load information with long pins (see page 191 for details).

ORNAMENTAL – JOIST HANGER

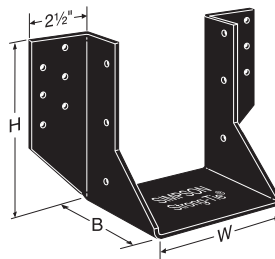
The OHU Ornamental Joist Hangers are heavy duty, load-rated joist hangers that are attached with Simpson Strong-Tie® Strong-Drive® 1/4"x3" double-barrier coating wood screws (SDS) (supplied with product).

MATERIAL: 12 gauge

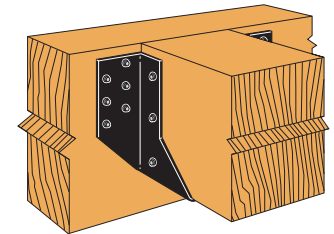
FINISH: Textured powder-coated flat black paint.

OPTIONS: No modifications.

CODES: See page 12 for Code Reference Key Chart.



OHU



Typical OHU Installation

Model No.	Joist Size	Ga	Dimensions			No. of SDS 1/4"x3" Wood Screws		DF/SP				SPF/HF				Code Ref.
			W	H	B	Face	Joist	Uplift (160)	Floor (100)	Snow (115)	Roof (125)	Uplift (160)	Floor (100)	Snow (115)	Roof (125)	
OHU46-SDS3	4x6	12	3 1/16	5	4	6	4	1930	2520	2900	3150	1390	1800	2070	2250	170
OHU48-SDS3	4x8	12	3 1/16	6 3/4	4	8	6	2765	3360	3865	4200	1990	2400	2760	3000	
OHU410-SDS3	4x10	12	3 1/16	8 3/4	4	12	6	2765	5040	5795	6300	1990	3600	4140	4500	
OHU412-SDS3	4x12	12	3 1/16	10 3/4	4	12	8	3565	5040	5795	6300	2570	3600	4140	4500	
OHU414-SDS3	4x14	12	3 1/16	12 3/4	4	14	10	3565	5880	6760	7350	2570	4200	4830	5250	
OHU66-SDS3	6x6	12	5 1/2	5	4	6	4	1930	2520	2900	3150	1390	1800	2070	2250	
OHU68-SDS3	6x8	12	5 1/2	7	4	12	6	2765	5040	5795	5955	1990	3600	4140	4290	
OHU610-SDS3	6x10	12	5 1/2	9	4	14	6	2765	5880	6760	6885	1990	4200	4830	4960	
OHU612-SDS3	6x12	12	5 1/2	11	4	16	8	3565	6720	7730	7815	2570	4800	5520	5630	
OHU614-SDS3	6x14	12	5 1/2	13	4	18	10	3565	7560	8695	8745	2570	5400	6210	6300	

1. Allowable uplift loads have been increased 60% for wind or earthquake loading with no further increase allowed; reduce where other loads govern.