

# Geometrix™ Wall-Mount Solution



GEOMETRIX 3" Wedge Panels

## LEED Credits

MR				EQ		
Waste Reduction	Recycled Content	Regional Materials <sup>1</sup>	Rapidly Renewable Materials	Low-Emitting Materials	Daylight and Views	Acoustical Performance <sup>2</sup>
●	●	●				●

## Features and Benefits

- 2'x2' panels install vertically on walls using a system of purpose-made mounting tracks, installation clips and perimeter trim.
- Create dimensional focal walls that define space and highlight functional areas.
- Available solid or perforated.
- Wall-mount solution also available for CELEBRATION metal panels. See IC508.
- Custom colors available for design versatility.

## Applications

- Offices
- Entertainment
- Gaming
- Hospitality
- Transportation terminals



Call 888.874.2450 for color samples

### Painted Metals



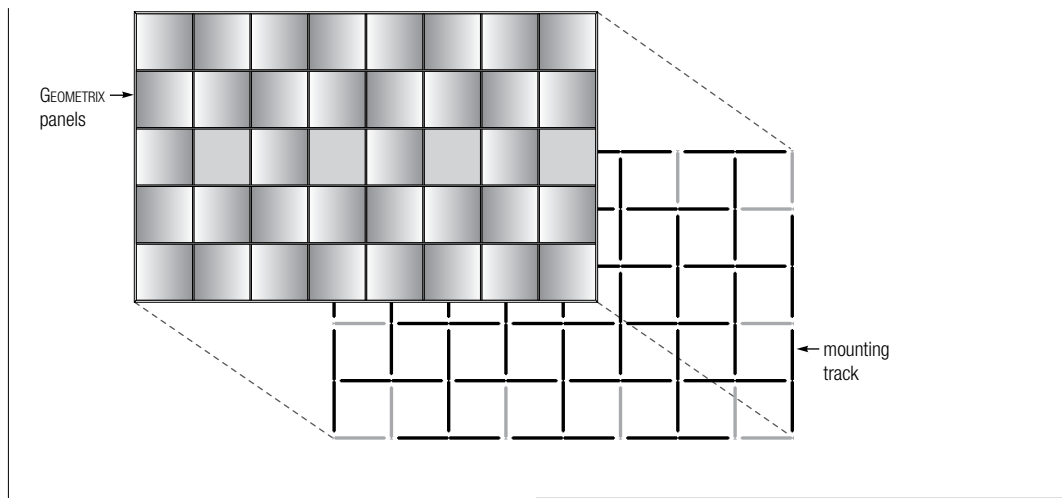
Flat White



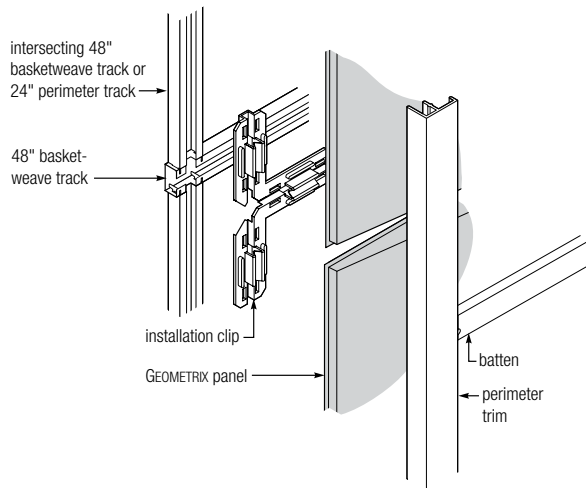
Silver Satin  
002

Product Information		
Materials	Finishes	Size
Aluminum panels. <sup>3</sup>	Panels are available in smooth metal or in a choice of five perforated patterns (C375, D250, D375, C062 and C062A). Black ACOUSTIBOND® backer included on perforated panels unless otherwise specified. ACOUSTIBOND backer also available in white.	2' x 2'

**Assembly Overview**



**Assembly**



**Acoustics**

		Perforation Pattern				
		C062	C062A	C375	D250	D375
		Open Area				
		2%	9%	10%	11%	11%
Panel	Size	Estimated NRC <sup>4</sup>				
Flat	3"	0.65	0.80	0.85	0.85	0.85
	2"	0.50	0.55	0.65	0.65	0.65
	1"	0.30	0.30	0.40	0.40	0.40
	5/16"	0.20	0.20	0.20	0.20	0.20
Wedge	3"	0.55	0.60	0.65	0.65	0.65
	2"	0.50	0.50	0.50	0.50	0.50
	1"	0.40	0.40	0.40	0.40	0.40
Inside Corner Wedge	3"	0.55	0.65	0.70	0.70	0.70
	2"	0.50	0.55	0.60	0.60	0.60
	1"	0.45	0.45	0.45	0.45	0.45
Outside Corner Wedge	3"	0.50	0.55	0.60	0.65	0.65
	2"	0.40	0.45	0.50	0.50	0.50
	1"	0.35	0.35	0.35	0.35	0.35

**For More Information**

**Product literature**  
Data sheet: IC540  
Tip sheet: IC508

**Online tools**  
– usgdesignstudio.com  
– usg.com/resources/onlinetools/topogeo/index.jsp

**Recycled content**  
GEOMETRIX aluminum panels: 70% recycled content. Mounting track: 25% recycled content.

**Wall Flatness**  
As detailed, the wall should be flat, within about 1/2"; any out-of-flat condition will be noticeable along the bottom edge of perimeter trim. With shimming and framing, the wall could be almost any condition, so long as the perimeter appearance can be made subjectively acceptable.

**Wall Applications**  
The systems described here are for wall applications only. GEOMETRIX panels should not be installed as a ceiling using wall-mount hardware. Ceiling applications require an approved DOWN® brand suspension system.

**Interior Use Only**  
Wall-mounted system designed for interior applications only.

**Impact Protection**  
Because GEOMETRIX panels were designed for ceiling applications and not to withstand impacts from foot traffic, rolling carts and other incidental contact, USG strongly recommends that panels be installed above or away from floor activity.

**Footnotes**  
1. Dependent on location; contact your USG representative.  
2. Requires perforation and ACOUSTIBOND backer.

3. GEOMETRIX panels meet ASTM E84 Class A requirements for Surface Burning Characteristics.  
4. NRC estimated based on testing per ASTM C423, Standard Test Method for Sound Absorption and Sound Absorption Coefficients by the Reverberation Room Method.

**Patents**  
Patents pending.