

# Celebration™ Planks and Large Sizes



2' x 6' and 1' x 4' CELEBRATION Planks

## LEED Credits

MR				EQ		
Waste Reduction	Recycled Content	Regional Materials <sup>1</sup>	Rapidly Renewable Materials	Low-Emitting Materials	Daylight and Views	Acoustical Performance <sup>2</sup>
●	●	●				●

## Features and Benefits

- Available in numerous painted colors and Wood Tones, and a range of perforation patterns.
- Precision 1/4" reveal and concealed suspension system provide a monolithic appearance.
- Snap-up installation into standard DOWN® brand FINELINE® DXF suspension system provides downward access.
- Perforated panels with ACOUSTIBOND® sound backer produce .65 NRC without additional acoustical material (enclosed plenum, minimum depth 18").

## Applications

- Offices
- Entertainment
- Gaming
- Hospitality
- Transportation terminals

## Call 888.874.2450 for color samples

See IC415 for color and perforation availability.

### Painted Metals



Flat White



Silver Satin  
002



Metallic Copper  
1690



Metallic Gold  
1691



Metallic Oyster  
1652

### Wood Tones<sup>3</sup>



Cherry



Maple



Oak



Product Information			
Materials	Typical Sizes <sup>4</sup>	Plenum Depth	Weight
Aluminum panels	1' x 4', 1' x 5', 20" x 60", 2' x 6', 2' x 8', 30" x 60"	Since panels are installed from below, the clearance for installation and removal of panels is minimal. Additional plenum clearance of up to 9" is required for air boot and lighting installations, depending on the unit selected.	Approximately .53 lbs. per sq. ft., not including lights and air diffusers.

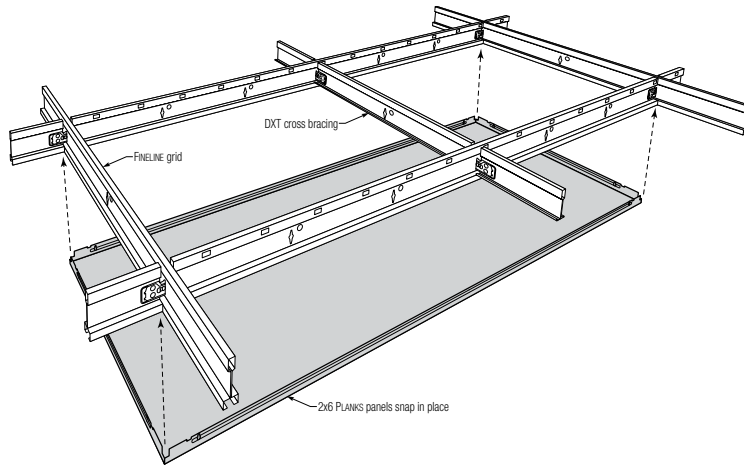
**Grid Layout** The modular nature of CELEBRATION ceilings must be considered when an installation is designed. Main tees and cross tees are exactly on module lines. Panels may be field-cut at walls and columns or terminated at a grid module for island installations. Intermediate tees required with panels longer than 5 ft. For plank-style suspension and layout options, visit [usg.planks.pivotinteractive.com](http://usg.planks.pivotinteractive.com) or [usgdesignstudio.com](http://usgdesignstudio.com).

Acoustics	Description	Optional Acoustical Material	Sound Rating – NRC	
			Perforation A062	Perforation A116
	Perforated panel	ACOUSTIBOND backer	.65	.70
	Perforated panel	1-1/2", 6 lb. density fiberglass	.90	.95
	Perforated panel	2", .75 lb. fiberglass in poly bag	.85	.90

**Air Handling** Air diffusers may be located around the perimeter of the ceiling or laid into the grid in place of CELEBRATION panels. The CELEBRATION diffuser is an extruded aluminum frame with matching faceplate and color-coordinated vanes, in 1-, 2-, 3-, and 4-slot configurations, with four-directional throw.

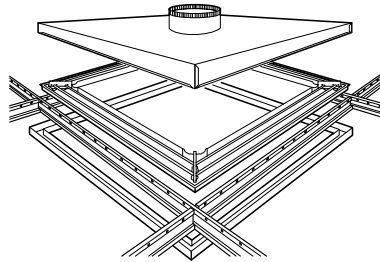
**Code Approval** CELEBRATION panels provide a continuous interlock with the suspension system. Supporting grid is capable of sustaining loads greater than those imposed by the CELEBRATION system when installed in accordance with manufacturer's instructions.

**Perspective**

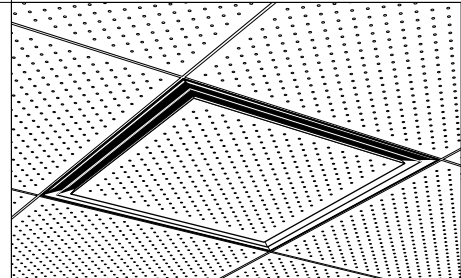


**CELEBRATION Air Diffuser**  
Available in 1-, 2-, 3- and 4-slot configurations, with four-directional throw.

**View from above**



**View from below**



**For More Information**

**Product literature**  
System brochure: IC415  
Data sheet: IC539

**Online tools**  
– [usgdesignstudio.com](http://usgdesignstudio.com)  
– [usg.planks.pivotinteractive.com](http://usg.planks.pivotinteractive.com)

**Acoustics**  
These values are for standard A062 perforation pattern.

**Recycled content**  
CELEBRATION aluminum panels: 70% recycled content.

**Footnotes**

1. Dependent on location; contact your USG representative.
2. Requires perforation and ACOUSTIBOND backer.
3. Available for 1' x 4', 1' x 5', 20" x 60" and 2' x 6' panels.
4. Additional sizes available on request.