

**BETTER PRODUCTS FOR BETTER PROJECTS**



**TRACK & STUD  
DRYWALL STEEL FRAMING SYSTEMS**

## Table of Contents

### INTRODUCTION AND

|                                   |           |
|-----------------------------------|-----------|
| <b>GENERAL INFORMATION .....</b>  | <b>2</b>  |
| <b>STUDS 0.030" .....</b>         | <b>3</b>  |
| <b>STUDS 0.018" .....</b>         | <b>4</b>  |
| <b>TRACKS 0.030" .....</b>        | <b>5</b>  |
| <b>TRACK 0.018" .....</b>         | <b>6</b>  |
| <b>CORNER BEAD .....</b>          | <b>7</b>  |
| <b>"J" BEAD .....</b>             | <b>8</b>  |
| <b>"L" BEAD .....</b>             | <b>9</b>  |
| <b>"U" BEAD .....</b>             | <b>10</b> |
| <b>7/8" FURRING CHANNEL .....</b> | <b>11</b> |
| <b>COLD ROLLED CHANNEL .....</b>  | <b>12</b> |

## Introduction

**Acesco Caribe. Mfg..** is the largest manufacturer and wholesaler distributor of galvanized steel tubing, purling, track, studs and roofing components in the Caribbean region. The Company operates the largest steel service center providing value-added metal processing services to many of Puerto Rico's most notable industrial clients.

**Acesco Caribe. Mfg..** is comprised with the quality of their products. The vast experience of our work force combined with the highest technology in all of our processes, result in a product with great precision in all of its dimensions and lengths.

**Acesco Caribe Mfg..** supports its distributors with a clear policy of commercial distribution and keeps in stock nearly 100 references to ensure a timely delivery.

**Acesco Caribe. Mfg..** manufactures the items included in this brochure from galvanized steel in compliance with the ASTM A-654 and ASTM A-924 with a minimum G-40 coating.

Track and Studs are manufactured in the standard widths of 1 5/8, 2 1/2", 3 5/8" & 6". Stock items maintained in inventory are available in 0.018" thickness in lengths of 8', 9', 10', 12', 14' and in some cases 16': in 0.030" thickness in lengths of 8', 9', 10', 12', 14', 16', 18' and 20'. All Tracks are stocked in lengths of 10'. Custom lengths may be produced upon request.

The information contained within this brochure will provide you with an informative technical guideline but should not be used as a substitute for the designs or determination of a qualified engineer or architect.

**Acesco Caribe. Mfg..** is not liable for damages or loses sustained while using these products for any use other than for what they are intended. The liability of **Acesco Caribe. Mfg..** is strictly limited to the replacement of defective products. Information in the form of tables or charts within this brochure may change without notification.

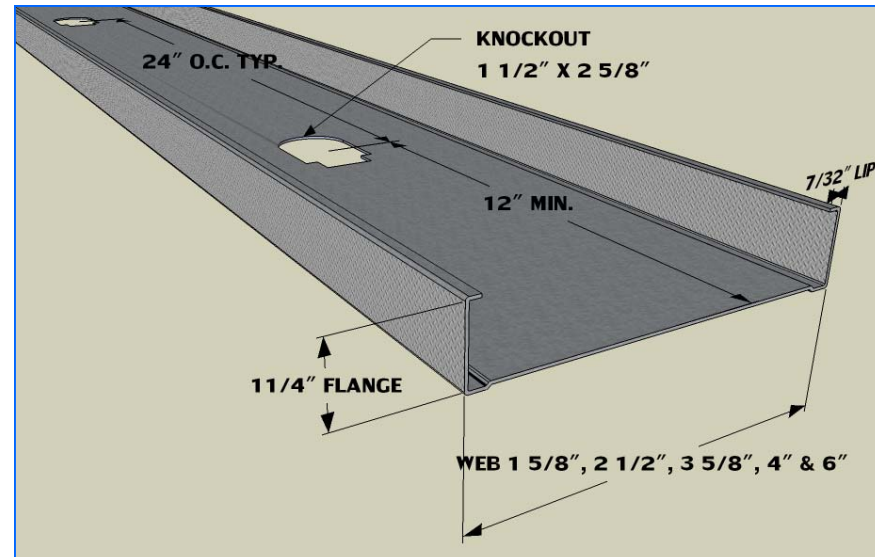
# STUD 0.030" THICKNESS

**ACESCO Caribe. Mfg..** Studs are manufactured from galvanized or galvalume steel highly resistant to corrosion.

Studs serve as a general all purpose framing component used in a variety of applications including gypsum wallboard, fascias, columns and wall framing.

Knockouts are evenly spaced for installation of wiring, plumbing or horizontal bracing.

Studs are available in widths of 1 5/8", 2 1/2", 3 5/8", 4" or 6" and stocked in lengths from 8' to 24'.



| STUD SIZE | WEIGHT (lb/ft) | GROSS SECTION AREA (in <sup>2</sup> ) | About Major Axis |                                   |                                   |                     | About Minor Axis                  |                                   |                     | m (in) | X <sub>o</sub> (in) | J <sub>x</sub> / 1000 | C <sub>w</sub> | R <sub>o</sub> (in) | B Beta |
|-----------|----------------|---------------------------------------|------------------|-----------------------------------|-----------------------------------|---------------------|-----------------------------------|-----------------------------------|---------------------|--------|---------------------|-----------------------|----------------|---------------------|--------|
|           |                |                                       | X (in)           | I <sub>x</sub> (in <sup>4</sup> ) | S <sub>x</sub> (in <sup>3</sup> ) | R <sub>x</sub> (in) | I <sub>y</sub> (in <sup>4</sup> ) | S <sub>y</sub> (in <sup>3</sup> ) | R <sub>y</sub> (in) |        |                     |                       |                |                     |        |
| 1 5/8"    | 0.494          | 0.120                                 | 0.531            | 0.064                             | 0.079                             | 0.731               | 0.024                             | 0.034                             | 0.445               | 0.646  | -1.086              | 0.044                 | 0.018          | 1.355               | 0.358  |
| 2 1/2"    | 0.592          | 0.125                                 | 0.513            | 0.166                             | 0.133                             | 1.155               | 0.025                             | 0.035                             | 0.448               | 0.583  | -0.950              | 0.055                 | 0.044          | 1.452               | 0.572  |
| 3 5/8"    | 0.718          | 0.162                                 | 0.396            | 0.407                             | 0.224                             | 1.586               | 0.032                             | 0.039                             | 0.448               | 0.522  | -0.825              | 0.068                 | 0.099          | 1.683               | 0.760  |
| 4"        | 0.760          | 0.174                                 | 0.368            | 0.515                             | 0.258                             | 1.721               | 0.034                             | 0.040                             | 0.444               | 0.505  | -0.791              | 0.073                 | 0.124          | 1.775               | 0.801  |
| 6"        | 0.984          | 0.240                                 | 0.267            | 1.381                             | 0.460                             | 2.400               | 0.041                             | 0.042                             | 0.412               | 0.431  | -0.652              | 0.096                 | 0.314          | 2.321               | 0.921  |

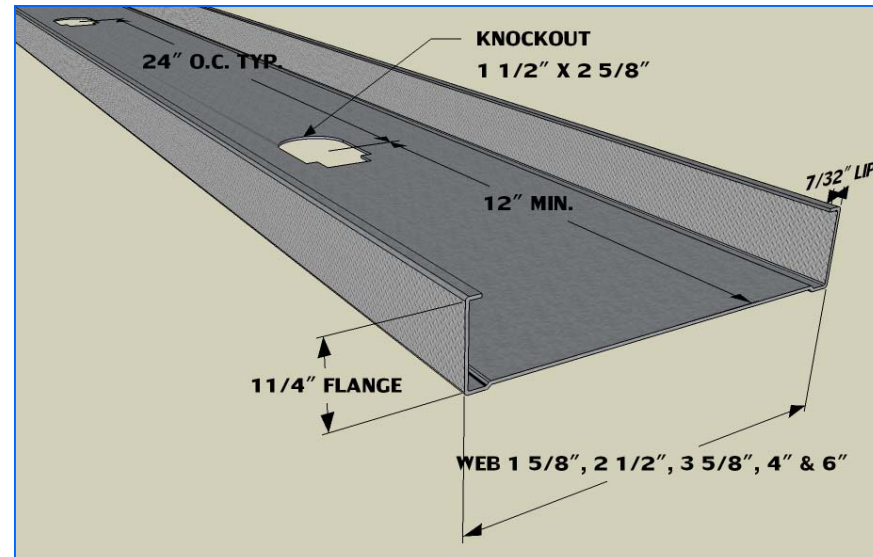
## STUD 0.018" THICKNESS

**ACESCO Caribe. Mfg..** Studs are manufactured from galvanized or galvalume steel highly resistant to corrosion.

Studs serve as a general all purpose framing component used in a variety of applications including gypsum wallboard, fascias, columns and wall framing.

Knockouts are evenly spaced for installation of wiring, plumbing or horizontal bracing.

Studs are available in widths of 1 5/8", 2 1/2", 3 5/8", 4" or 6" and stocked in lengths from 8' to 24'.



| STUD SIZE | WEIGHT (lb/ft) | CROSS SECTION AREA (in <sup>2</sup> ) | About Major Axis |                                   |                                   |                     | About Minor Axis                  |                                   |                     | m (in) | X <sub>o</sub> (in) | J X 1000 | C <sub>w</sub> | R <sub>o</sub> (in) | B Beta |
|-----------|----------------|---------------------------------------|------------------|-----------------------------------|-----------------------------------|---------------------|-----------------------------------|-----------------------------------|---------------------|--------|---------------------|----------|----------------|---------------------|--------|
|           |                |                                       | X (in)           | I <sub>x</sub> (in <sup>4</sup> ) | S <sub>x</sub> (in <sup>3</sup> ) | R <sub>x</sub> (in) | I <sub>y</sub> (in <sup>4</sup> ) | S <sub>y</sub> (in <sup>3</sup> ) | R <sub>y</sub> (in) |        |                     |          |                |                     |        |
| 1 5/8"    | 0.287          | 0.067                                 | 0.539            | 0.036                             | 0.045                             | 0.738               | 0.014                             | 0.019                             | 0.452               | 0.653  | -1.101              | 0.007    | 0.010          | 1.373               | 0.357  |
| 2 1/2"    | 0.327          | 0.069                                 | 0.521            | 0.093                             | 0.075                             | 1.162               | 0.014                             | 0.020                             | 0.455               | 0.591  | -0.965              | 0.009    | 0.025          | 1.470               | 0.569  |
| 3 5/8"    | 0.395          | 0.089                                 | 0.404            | 0.227                             | 0.125                             | 1.594               | 0.019                             | 0.022                             | 0.456               | 0.530  | -0.839              | 0.011    | 0.057          | 1.700               | 0.756  |
| 4"        | 0.418          | 0.096"                                | 0.375            | 0.287                             | 0.143                             | 1.729               | 0.020                             | 0.023                             | 0.452               | 0.513  | -0.805              | 0.012    | 0.071          | 1.791               | 0.798  |

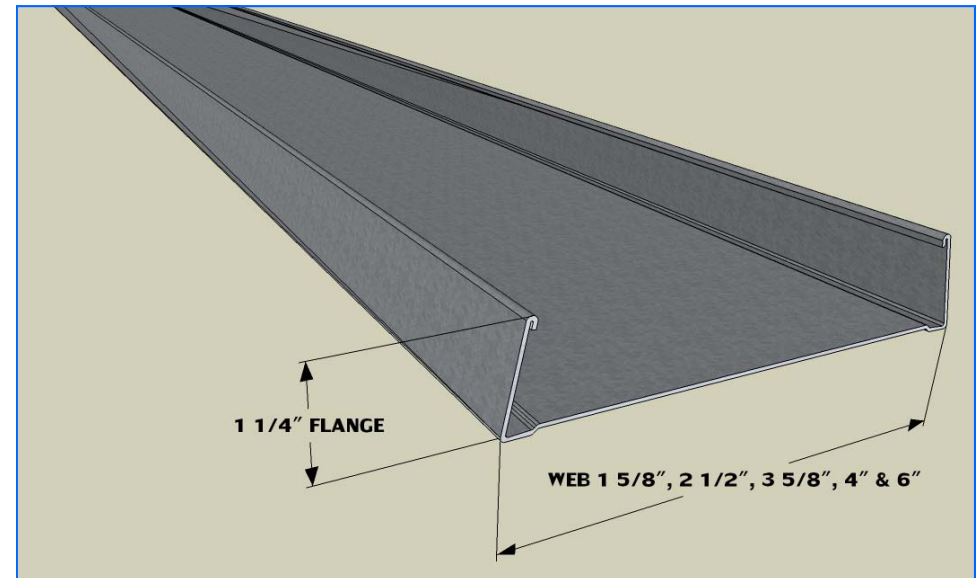
# TRACK 0.030" THICKNESS

**Acresco Caribe. Mfg..** Tracks are manufactured from galvanized or galvalume steel highly resistant to corrosion.

Tracks are used as a closure for stud assemblies.

Available in widths of 1 5/8", 2 1/2", 3 5/8" 4" or 6" and stocked in 10' of length.

Custom lengths are available upon request.



| TRACK SIZE | WEIGHT (lb/ft) | CROSS SECTION AREA (in <sup>2</sup> ) | About Major Axis                  |                                   |                     |
|------------|----------------|---------------------------------------|-----------------------------------|-----------------------------------|---------------------|
|            |                |                                       | I <sub>x</sub> (in <sup>4</sup> ) | S <sub>x</sub> (in <sup>3</sup> ) | R <sub>x</sub> (in) |
| 1 5/8"     | 0.459          | 0.135                                 | 0.070                             | 0.080                             | 0.720               |
| 2 1/2"     | 0.557          | 0.164                                 | 0.177                             | 0.134                             | 1.039               |
| 3 5/8"     | 0.683          | 0.201                                 | 0.408                             | 0.217                             | 1.426               |
| 4"         | 0.725          | 0.213                                 | 0.512                             | 0.248                             | 1.550               |
| 6"         | 0.949          | 0.279                                 | 1.341                             | 0.437                             | 2.193               |

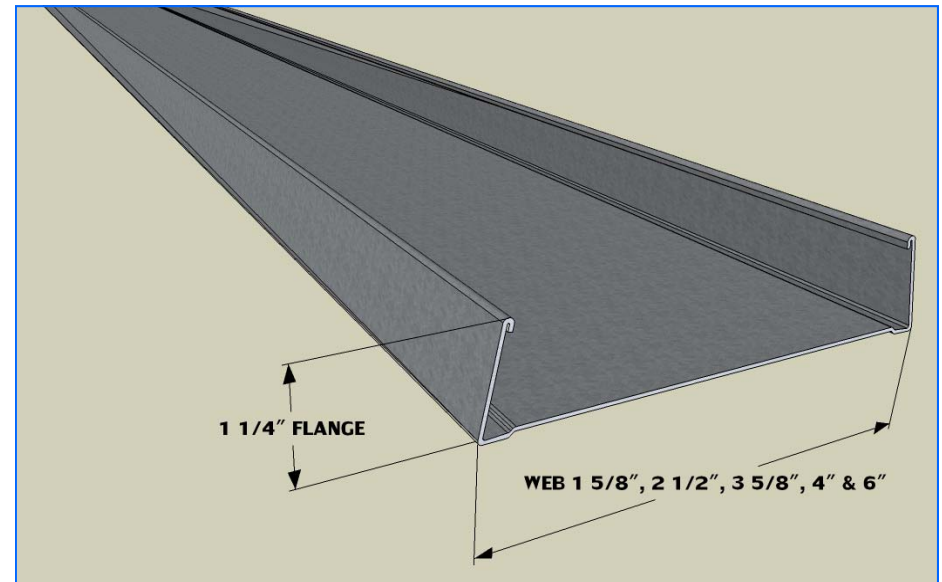
# TRACK 0.018" THICKNESS

**Acesco Caribe. Mfg..** Tracks are manufactured from galvanized or galvalume steel highly resistant to corrosion.

Tracks are used as a closure for stud assemblies.

Available in widths of 1 5/8", 2 1/2", 3 5/8" 4" or 6" and stocked in 10' of length.

Custom lengths are available upon request.



| TRACK SIZE | WEIGHT (lb/ft) | GROSS SECTION AREA (in <sup>2</sup> ) | About Major Axis                  |                                   |                     |
|------------|----------------|---------------------------------------|-----------------------------------|-----------------------------------|---------------------|
|            |                |                                       | I <sub>x</sub> (in <sup>4</sup> ) | S <sub>x</sub> (in <sup>3</sup> ) | R <sub>x</sub> (in) |
| 1 5/8"     | 0.280          | 0.082                                 | 0.043                             | 0.050                             | 0.721               |
| 2 1/2"     | 0.333          | 0.098                                 | 0.108                             | 0.084                             | 1.052               |
| 3 5/8"     | 0.402          | 0.118                                 | 0.249                             | 0.134                             | 1.451               |
| 4"         | 0.425          | 0.125                                 | 0.311                             | 0.153                             | 1.579               |

## CORNER BEAD 0.018" THICKNESS

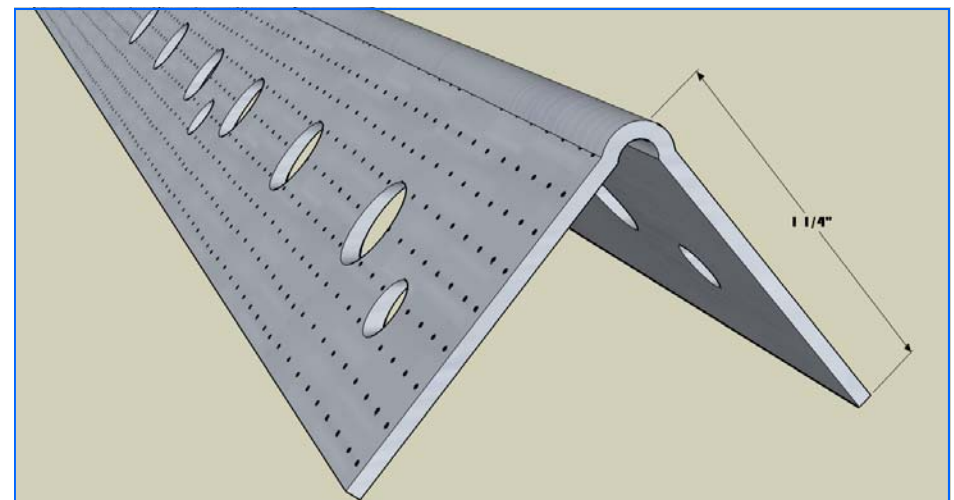
**ACESCO Caribe, Mfg..** Corner Beads are manufactured from galvanized or galvalume steel highly resistant to corrosion.

Corner Beads are used as a reinforcement for outside corners of gypsum wallboard partitions

"J" Bead surface is knurled to improve adherence of coatings

Corner Beads are available in 8', 9' & 10' of length.

Custom lengths are available upon request.



## “J” BEAD 1/2” or 5/8” - 0.018” THICKNESS

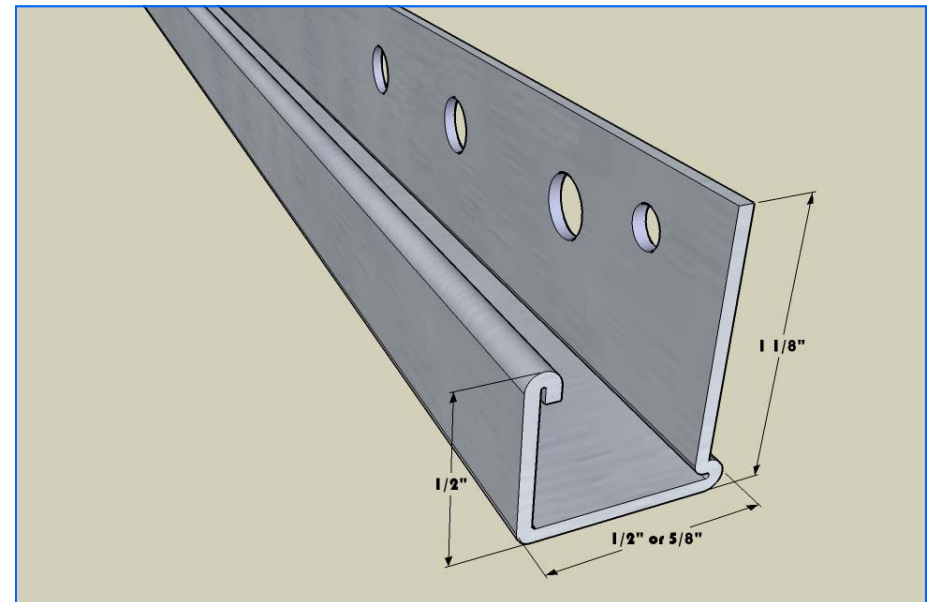
**Acresco Caribe. Mfg..** “J” Beads are manufactured from galvanized or galvalume steel highly resistant to corrosion.

“J” Beads are used to provide a protective edge for wallboard where finish spackling is not required.

“J” Beads surface is knurled to improve adherence of coatings

“J” Beads are available in stock in 1/2” or 5/8” of width by 10’ of length.

Custom lengths are available upon request.





## “L” BEAD 1/2” or 5/8” - 0.018” THICKNESS

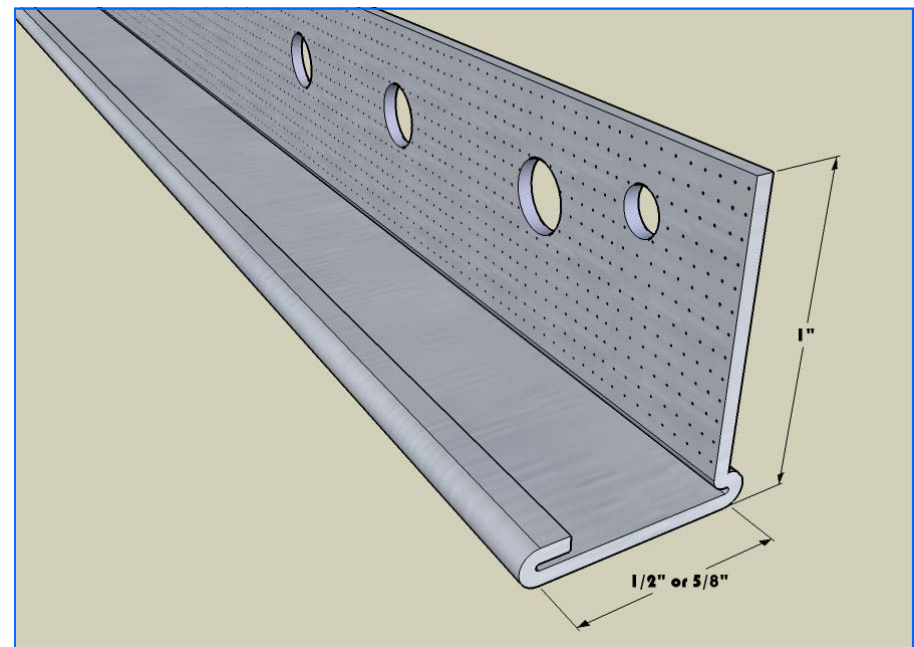
**Acresco Caribe, Mfg.** “L” Beads are manufactured from galvanized or galvalume steel highly resistant to corrosion.

“L” Beads are used as a finished edge after the wall-board has been attached.

“L” Bead’s surface is knurled to improve adherence of coatings

“L” Beads are available in stock in 1/2” or 5/8” of width by 10’ of length.

Custom lengths are available upon request.



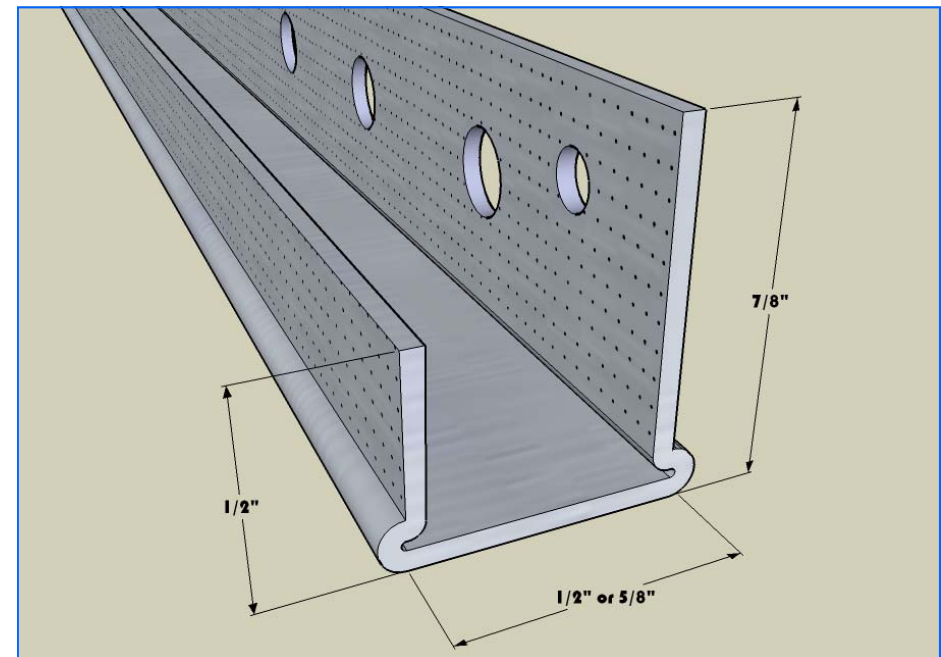
## “U” BEAD 1/2” or 5/8” - 0.018” THICK-

**Acresco Caribe, Mfg..** “U” Beads are manufactured from galvanized or galvalume steel highly resistant to corrosion.

“U” Beads are used as a protective edge for wallboard where wall openings or where the board terminates to other surfaces.

“U” Beads are available in stock in 1/2” or 5/8” of width by 10’ of length.

Custom lengths are available upon request.

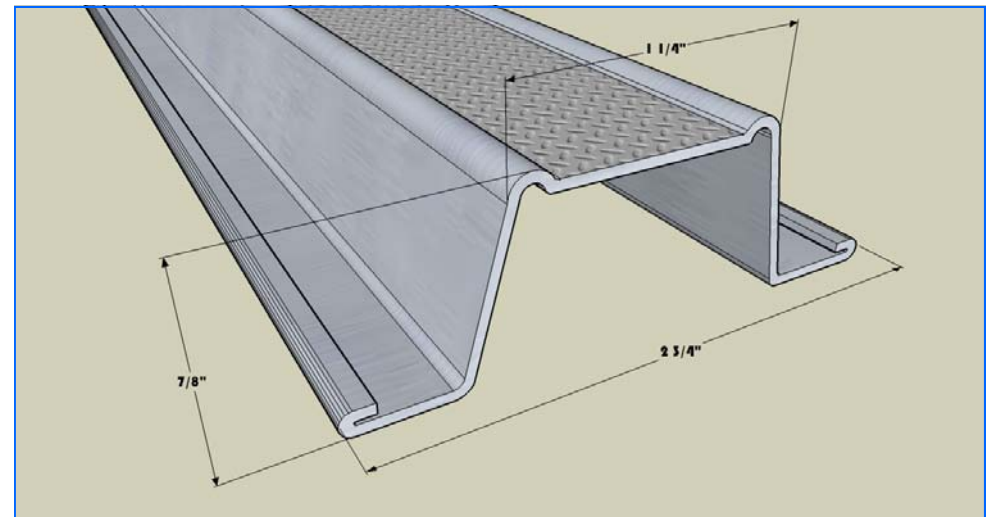


## 7/8" FURRING CHANNEL 0.030" or 0.018" THICKNESS

**Acresco Caribe, Mfg..** 7/8" Furring Channels are manufactured from galvanized or galvalume steel highly resistant to corrosion.

7/8" Furring Channels are used as furring over masonry walls and hot rolled steel shapes. Also is used as a cross member for gypsum wallboard and plaster soffits and ceilings.

7/8" Furring Channels are available in stock in 8', 10 & 12' of length.



## COLD ROLLED CHANNEL 0.054" THICKNESS

**Acresco Caribe. Mfg..** Cold Rolled Channels are manufactured from galvanized or galvalume steel highly resistant to corrosion.

Cold Rolled Channels are used as a lateral bridging component or in suspended ceilings in conjunction with 7/8" Furring Channel.

Cold Rolled Channels are available in stock in 16' of length.

Custom lengths are available upon request.

