

**TWO LAMP STRIP****IPS-SERIES****(8 FT.)**

APPLICATION: This two (2)-lamp strip channel is popular when a little extra lighting is required for such applications as hallways, garages, warehouses, workshops, etc. They may be surface-mounted or suspended by chains or rod hangers.

CONSTRUCTION: Made from heavy-duty iron phosphate treated CRS (Cold Rolled Steel) and finished with a high-reflectivity electromagnetic-applied powder coat for a minimum reflectance of 90%, thereby, yielding high lumen efficiency. Die formed for extra strength and rigidity.

ELECTRICAL WIRING: Supplied with a high frequency class "A" sound rating class "P" thermally protected, High Power Factor electronic ballast with total harmonic distortion of less than 10%. Will operate T8 lamps from 50/60 Hz input source of 120V through 277V. U.L. approved, CBM certified, meets CSA Standards. Complies with U.S.A. National Energy efficiency standards.

ORDERING INFORMATION:

<u>LAMPS</u>	<u>LAMP TYPE</u>	<u>PART NUMBER</u>
2 EA.	59W-T8	IPS -259/MV

OPTIONAL

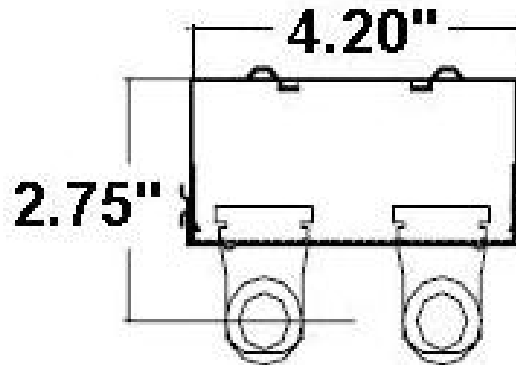
<u>LAMPS</u>	<u>LAMP TYPE</u>	<u>PART NUMBER</u>
4 EA.	32W-T8 (TANDEM)	IPS-432-96/MV



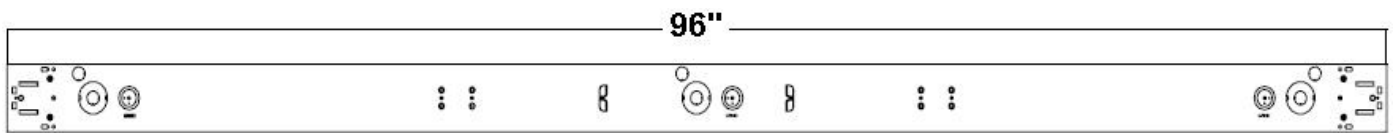
TWO LAMP STRIP IPS-SERIES (8 FT)



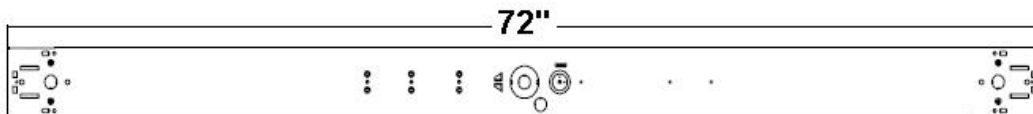
CROSS-SECTION



BACKPLAN



SES 8 FT. BODY



SES 6 FT. BODY