



LAY-IN TYPE PARABOLIC TROFFER

PBC-SERIES 2 FT. X 4 FT. (18 CELL LOUVER)



APPLICATION: Parabolic style lay-in recessed troffers have revolutionized the general office workplace. They afford an elegant décor while at the same time helps to resolve the nuisance of glare from today's modern office VDT screens. Creates an excellent cosmetic look for applications such as offices, banks, hospitals, and general commercial space areas.

CONSTRUCTION: Made from heavy-duty iron phosphate treated CRS (Cold Rolled Steel) and finished with a high-reflectivity electromagnetic-applied powder coat for a minimum reflectance of 90%, thereby, yielding high lumen efficiency. Die formed for extra strength and rigidity.

FEATURES: The parabolic contour design reduces high angle brightness thereby avoiding reflected glare on desk VDT units. This allows for an optically comfortable workplace. Top access plate and several knockouts make electrical wiring an easy task.

ELECTRICAL WIRING: Supplied with a high frequency class "A" sound rating class "P" thermally protected, High Power Factor electronic ballast with total harmonic distortion of less than 10%. This multi-volt ballast will operate T8 lamps from 50/60 Hz input source of 120V through 277V. U.L. approved, CBM certified, meets CSA Standards. Complies with

U.S.A. National Energy efficiency standards. Optional: Dimming Ballast and Backup Power Pack available on special order.

LOUVER: Made from anodized aluminum for optimum strength and corrosion resistance, which can easily be cleaned from dirt and fingerprints with a damp cloth. The individual cells measure 6" x 6" in a parabolic configuration. Designed to fit all types of inverted "T" grid ceiling systems affording an attractive cosmetic look. Standard finish is non-iridescent Semi-Specular Silver.

ORDERING INFORMATION:

<u>LAMPS</u>	<u>LAMP TYPE</u>	<u>PART NUMBER</u>
2 EA.	32W-T8	IPD232-PBC/MV
3 EA.	32W-T8	IPD332-PBC/MV

OPTIONAL WITH ALUMINUM MIRROR FINISH REFLECTOR

<u>LAMPS</u>	<u>LAMP TYPE</u>	<u>PART NUMBER</u>
2 EA.	32W-T8	IPD232-PBC/MV-AMF
4 EA.	32W-T8	IPD432-PBC/MV-AMF



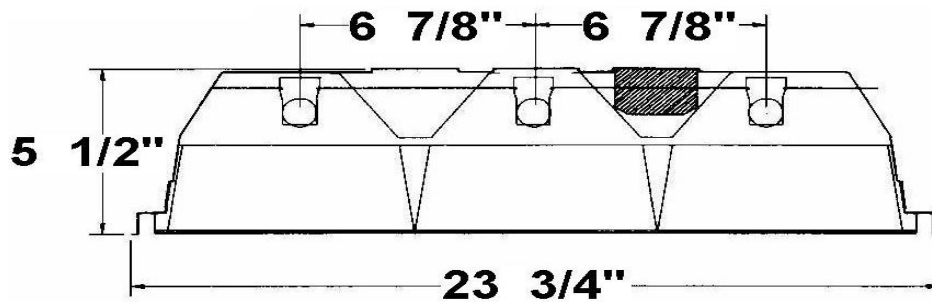
LAY-IN TYPE PARABOLIC

PBC-SERIES

2 FT. X 4 FT.



CROSS-SECTION



BACKPLAN

