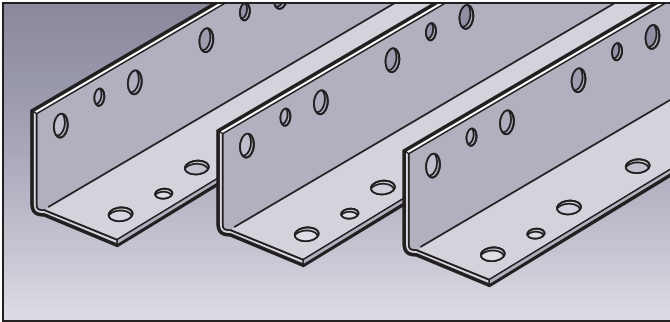
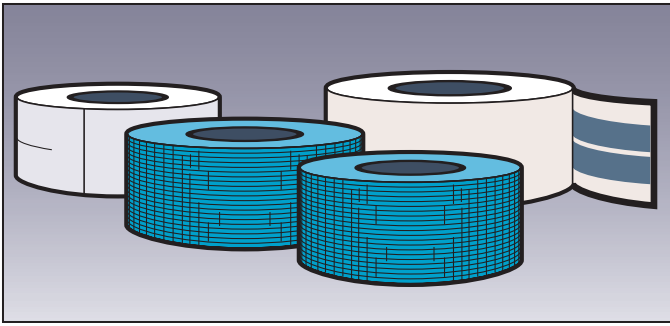


FINISHING ACCESSORIES



ProForm® BRAND Paper Joint Tape — Joint tape conceals and reinforces wallboard joints. The tape is buffed on both sides to ensure the best working qualities and bond. A center creasing process allows easy folding for use at corners. 75', 250' and 500' rolls.

Sta-Smooth® BRAND HS Tape — A 2" wide, self-adhering fiberglass tape for use with Sta-Smooth compounds. 300' per roll. Not recommended for use with ProForm Ready Mix (drying-type) joint compounds.

ProForm® BRAND Multi-Flex Tape Bead — A combination of joint tape and metal strips laminated to form an outside or inside corner for gypsum wallboard. It is particularly recommended for inside corners on cathedral ceilings, kneewalls, stairways or any outside or inside corner less or greater than 90°. It is applied with the metal side to the face of the gypsum wallboard and is embedded into the joint compound. 100' per roll.

Wallboard Cornerbead
Designed for use with all wallboard thicknesses. Galvanized steel. Manufactured to meet ASTM C 1047.

WALLBOARD CORNERBEAD

Size	Stocked Length	Pieces/ Carton	Feet/ Carton	Weight 1,000 lin. ft. (305 m)
1-1/4" x 1-1/4"	8' (2438 mm)	63	504	137 lbs. (62 kg)
(31.75 mm x 31.75 mm)	10' (3048 mm)	50	500	137 lbs. (62 kg)