



## SINGLE LAMP STRIP

**IPS-SERIES**

**(8 FT. )**



**APPLICATION:** This single lamp strip is ideal for general lighting needs and is great for valance or cove type applications. They may be surface-mounted or suspended by chains or rod hangers.

**CONSTRUCTION:** Made from heavy-duty iron phosphate treated CRS (Cold Rolled Steel) and finished with a high-reflectivity electromagnetic-applied powder coat for a minimum reflectance of 90%, thereby, yielding high lumen efficiency. Die formed for extra strength and rigidity.

**ELECTRICAL WIRING:** Supplied with a high frequency class "A" sound rating class "P" thermally protected, High Power Factor electronic ballast with total harmonic distortion of less than 10%. Will operate T8 lamps from 50/60 Hz input source of 120V through 277V. U.L. approved,

CBM certified, meets CSA Standards. Complies with U.S.A. National Energy efficiency standards.

### ORDERING INFORMATION:

<u>LAMPS</u>	<u>LAMP TYPE</u>	<u>PART NUMBER</u>
1 EA.	59W-T8	IPS -159/MV

### **OPTIONAL**

<u>LAMPS</u>	<u>LAMP TYPE</u>	<u>PART NUMBER</u>
2 EA.	32W-T8 (TANDEM)	IPS-232-96/MV

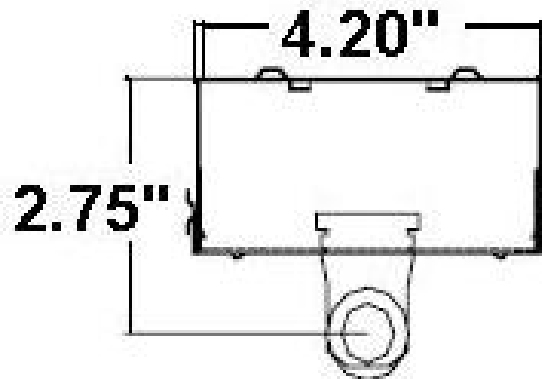


## SINGLE LAMP STRIP

### IPS-SERIES (8 FT.)



#### CROSS-SECTION



#### BACKPLAN

