

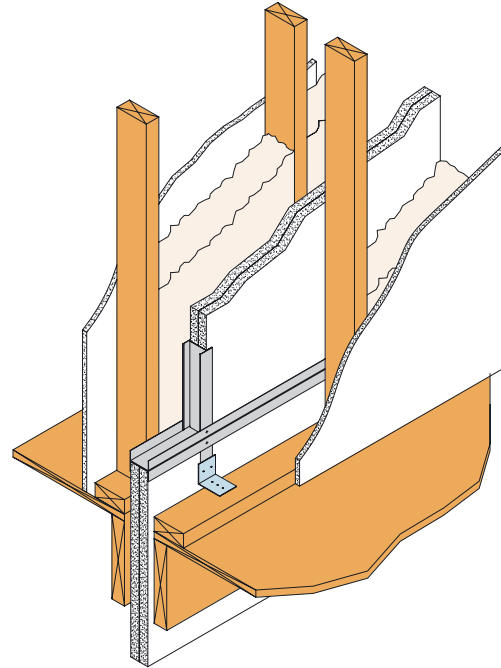
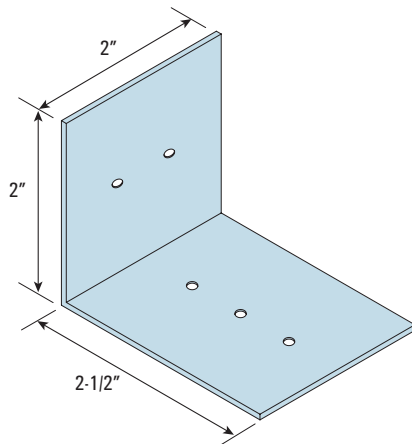
BREAKAWAY CLIP (BA)

Breakaway Clips are manufactured from aluminum and designed to melt under extreme heat allowing a fire damaged structure to collapse while permitting the fire wall to remain in place to protect adjacent units.

MATERIAL: Aluminum .063"

INSTALLATION:

- Must be used in conjunction with Area Separation Wall Systems.
- Attach the Breakaway Clip to the completed Area Separation Wall Assembly.
- One Clip should be located at each side of each H Stud.
- Fasten BA Clip to H Stud with a screw through pre-punched holes.
- Attach to wood or steel adjacent framing with nails or screws respectively.

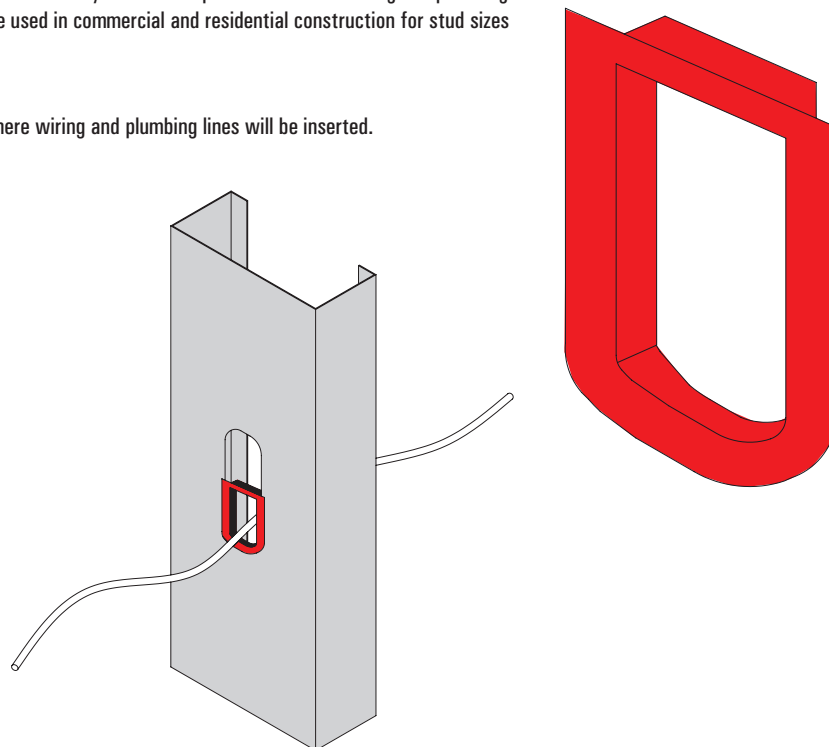


GROMMET

Grommets snap easily into stud and joist knockouts. They are used to protect electrical wiring and plumbing lines from contacting metal. Grommets can be used in commercial and residential construction for stud sizes of 3-1/2" and larger.

INSTALLATION:

- Install grommets in all stud knockouts where wiring and plumbing lines will be inserted.
- Simple one piece snap in installation.
- 25 parts to a bag/500 to a box.



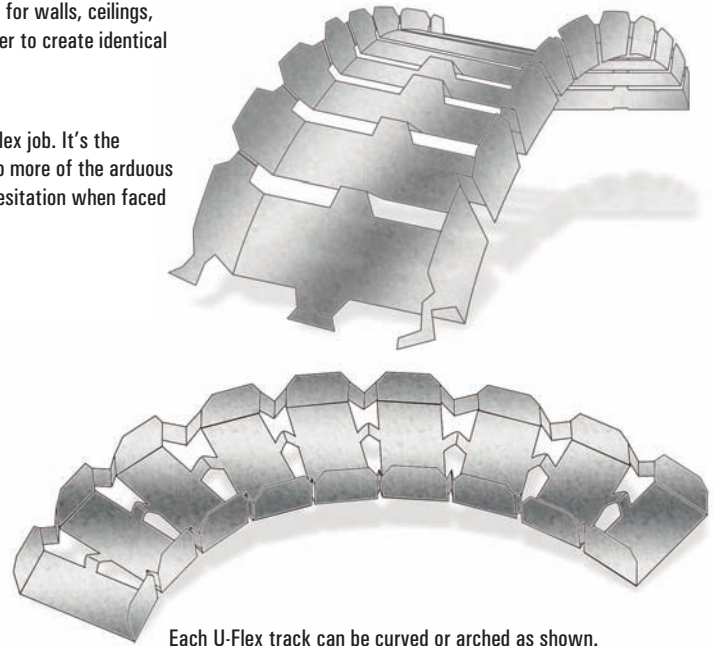
U-FLEX TRACK

U-Flex is a flexible steel track whose main feature is its great flexibility in every direction, both horizontally and vertically. It was designed for curved steel and wood framing and works great for walls, ceilings, arches, columns, etc. U-Flex easily adapts to all types of curves. U-Flex fits together to create identical shapes and is simple, fast, economical and professional.

INSTALLATION:

It's so easy to apply. It's a valuable time-saver. It's the assurance of doing a complex job. It's the satisfaction of a job well done. No more headaches or complicated calculations. No more of the arduous and often inaccurate work performed by the metallic scissors. No more doubt or hesitation when faced with a curved-surface project.

Model No.	Web	Leg	Minimum Radius	Radius with Cut	Gauge (mil)
212UFT2508	2-1/2"	1-11/32"	5-1/4"	2-3/4"	25 (.018)
358UFT2508	3-5/8"	1-11/32"	8-1/4"	4-3/4"	25 (.018)
358UFT2008	3-5/8"	1-11/32"	8-1/4"	4-3/4"	20 (.033)
600UFT2008	6"	1-3/4"	24"	16"	20 (.033)



Each U-Flex track can be curved or arched as shown.

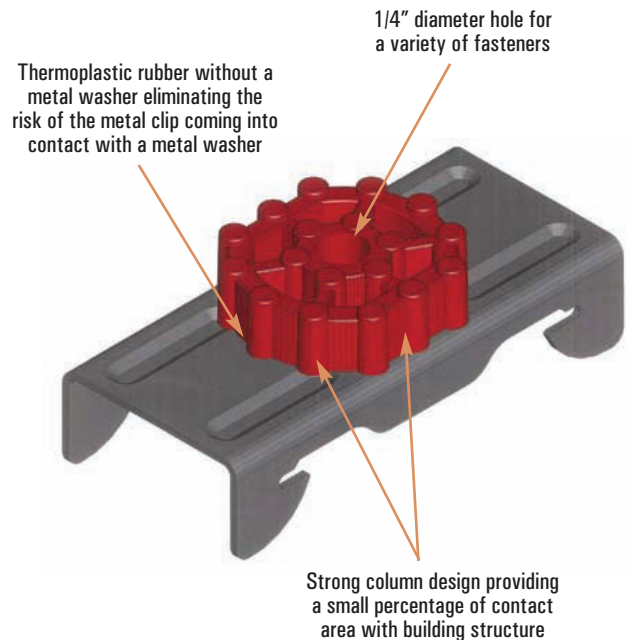
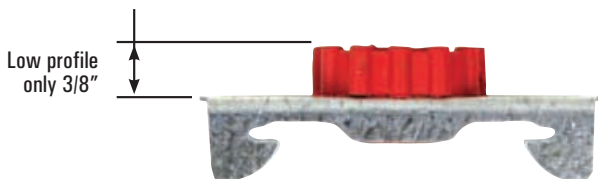
RESILMOUNT SOUND ISOLATION CLIP

NEW

Acoustic control for airborne sound has become a major issue for architects and interior designers for high density apartment living, condos, townhouses, studios and theaters. Resilmount's range of resilient mounts fit standard furring channels for effective noise control. Resilient mount clips are the most effective acoustic control system, as they isolate the system from the building structure.

INSTALLATION:

- Maximum dead load 55lbs each clip
- Maximum spacing of clip is 4' on center
- Screws and masonry sleeve anchors recommended for all attachments (See fasteners manufacturers specifications)
- Suitable for use with 7/8" and 1-1/2" furring channels
- Tested to achieve a rating of STC 63 per ASTM E90
Test numbers TL08-240 and TL08-239 by Riverbank Acoustical Laboratories
- Patents pending



Specialty Products