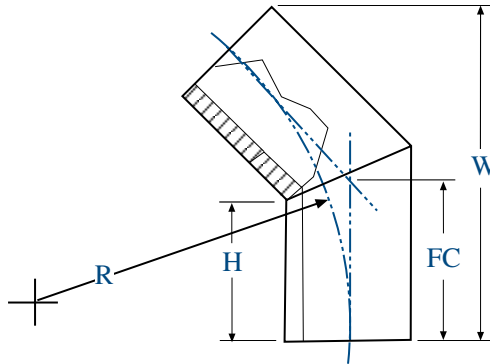


DIPS Fittings Fabricated 45° Ell-Two Segment



DIPS Fittings Fabricated 45° Ell-Two Segment									
Nominal Pipe Size (in)	OD (in)	DR	Part #	Dimensions				Weight (lbs)	Shipping Method
				R (in)	H (in)	FC (in)	W (in)		
4	4.8	11	ISFF450411DIPS2P	6	5.5	6.50	12.79	3	FedEx
		17	ISFF450417DIPS2P	"	"	"	"	2	"
6	6.9	11	ISFF450611DIPS2P	9.50	6	7.43	15.12	8	FedEx
		17	ISFF450617DIPS2P	"	"	"	"	6	"
8	9.05	11	ISFF450811DIPS2P	10.50	6.5	8.38	17.50	15	FedEx
		17	ISFF450817DIPS2P	"	"	"	"	11	"
10	11.1	11	ISFF451011DIPS2P	12.75	6.5	8.80	18.95	24	FedEx
		17	ISFF451017DIPS2P	"	"	"	"	16	"
12	13.1	11	ISFF451211DIPS2P	13.88	8.5	11.25	23.87	40	FedEx
		17	ISFF451217DIPS2P	"	"	"	"	27	"
14	15.3	11	ISFF451411DIPS2P	14.88	8.5	11.67	25.25	50	LTL
		17	ISFF451417DIPS2P	"	"	"	"	34	"
16	17.4	11	ISFF451611DIPS2P	16	8.5	12.10	26.81	82	LTL
		17	ISFF451617DIPS2P	"	"	"	"	55	"
18	19.5	11	ISFF451811DIPS2P	17	8.5	12.54	28.30	108	LTL
		17	ISFF451817DIPS2P	"	"	"	"	73	"
20	21.6	11	ISFF452011DIPS2P	22.88	8.5	12.97	29.78	128	LTL
		17	ISFF452017DIPS2P	"	"	"	"	101	"
24	25.8	11	ISFF452411DIPS2P	25	8.5	13.84	32.75	195	LTL
		17	ISFF452417DIPS2P	"	"	"	"	157	"
30	32	11	ISFF453011DIPS2P	38.00	10	16.60	39.69	325	LTL
		17	ISFF453017DIPS2P	"	"	"	"	218	"



DIPS
HDPE
Fittings

Pressure Rating is based on miter angle, pipe DR (Wall thickness), and resin properties.

Ratings based on 3608 resin/22.5 angle:	
DR	Pressure Rating
7	183 psi
9	131 psi
11	100 psi
13.5	77 psi
15.5	64 psi
17	57 psi
21	43 psi
26	33 psi
32.5	25 psi

Ratings based on 4710 resin/22.5 angle:	
DR	Pressure Rating
7	229 psi
9	164 psi
11	126 psi
13.5	96 psi
15.5	81 psi
17	71 psi
21	54 psi
26	41 psi
32.5	31 psi

Note: Size/DR listings shown are commonly requested. Many DR options not listed are available. Please consult an ISCO representative for availability.

1-800-345-ISCO

www.isco-pipe.com

