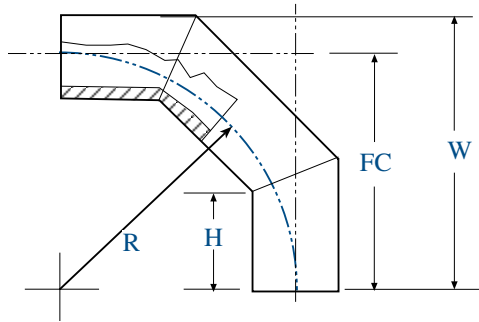


DIPS Fittings Fabricated 90° Ell-Three Segment



DIPS Fittings Fabricated 90° Ell-Three Segment									
Nominal Pipe Size(in)	Pipe OD(in)	DR	Part #	Dimensions				Weight (lbs)	Shipping Method
				R (in)	H (in)	FC (in)	W(in)		
4	4.8	11	ISFF900411DIP3P	6.00	5.5	10.00	12.40	6	FedEx
		17	ISFF900417DIP3P	"	"	"	"	4	"
6	6.9	11	ISFF900611DIP3P	9.50	6	13.00	16.45	13	FedEx
		17	ISFF900617DIP3P	"	"	"	"	9	"
8	9.05	11	ISFF900811DIP3P	10.50	6.5	14.50	19.03	24	FedEx
		17	ISFF900817DIP3P	"	"	"	"	16	"
10	11.1	11	ISFF901011DIP3P	12.75	6.5	16.29	21.84	39	FedEx
		17	ISFF901017DIP3P	"	"	"	"	26	"
12	13.1	11	ISFF901211DIP3P	13.88	8.5	19.38	25.98	64	FedEx
		17	ISFF901217DIP3P	"	"	"	"	43	"
14	15.3	11	ISFF901411DIP3P	14.88	8.5	20.38	28.03	81	LTL
		17	ISFF901417DIP3P	"	"	"	"	54	"
16	17.4	11	ISFF901611DIP3P	16.00	8.5	21.44	30.14	128	LTL
		17	ISFF901617DIP3P	"	"	"	"	86	"
18	19.5	11	ISFF901811DIP3P	17.00	8.5	22.49	32.24	174	LTL
		17	ISFF901817DIP3P	"	"	"	"	117	"
20	21.6	11	ISFF902011DIP3P	22.88	8.5	26.37	37.17	241	LTL
		17	ISFF902017DIP3P	"	"	"	"	162	"
24	25.8	11	ISFF902411DIP3P	25.00	8.5	28.47	41.37	321	LTL
		17	ISFF902417DIP3P	"	"	"	"	262	"
30	32.00	11	ISFF903011DIP3P	38.00	10	38.90	54.90	738	LTL
		17	ISFF903017DIP3P	"	"	"	"	496	"



DIPS
HDPE
Fittings

Pressure Rating is based on miter angle, pipe DR (Wall thickness), and resin properties.

Ratings based on 3608 resin/22.5 angle:	
DR	Pressure Rating
7	183 psi
9	131 psi
11	100 psi
13.5	77 psi
15.5	64 psi
17	57 psi
21	43 psi
26	33 psi
32.5	25 psi

Ratings based on 4710 resin/22.5 angle:	
DR	Pressure Rating
7	229 psi
9	164 psi
11	126 psi
13.5	96 psi
15.5	81 psi
17	71 psi
21	54 psi
26	41 psi
32.5	31 psi

Note: Size/DR listings shown are commonly requested. Many DR options not listed are available. Please consult an ISCO representative for availability.

1-800-345-ISCO

www.isco-pipe.com

