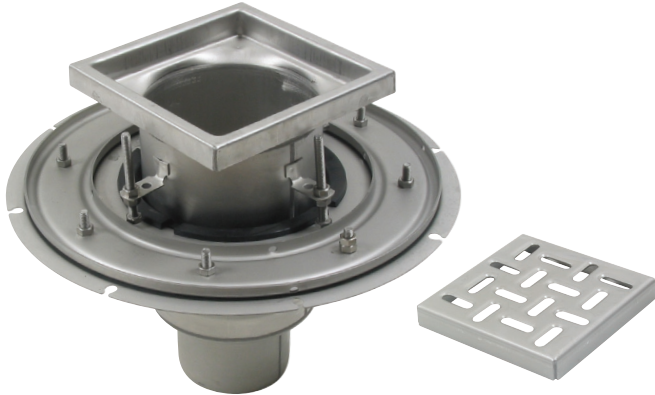
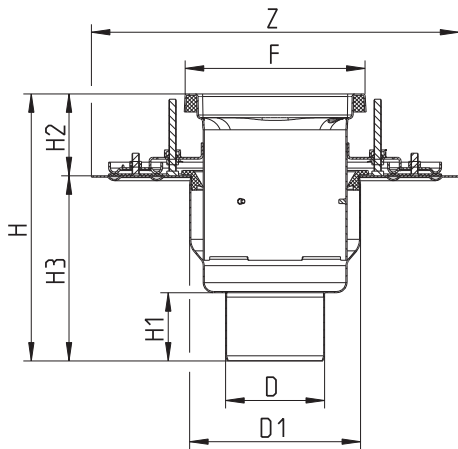


SPECIFICATION: BLÜCHER BFD-130 AISI Type 304 stainless steel adjustable floor drain with 12"x12" (300x300) square top, membrane clamping flange, 1/8" (3) grating (standard), and no hub bottom outlet.



Bottom Outlet



Dimensional Chart

Model No.	Pipe Size <i>D</i>	<i>D1</i>	Top Size <i>F</i>	<i>Z</i>	<i>H</i> Adjustable	<i>H1</i>	<i>H2</i> Adjustable	<i>H3</i>
BFD-134	4"(110)	11-1/2"(291)	12"x12"(300x300)	20"(507)	13-7/16"(342)- 15-13/16"(402)	3"(76)	3-5/8"(91)- 6"(151)	9-7/8"(251)
BFD-136	6"(160)	11-1/2"(291)	12"x12"(300x300)	20"(507)	14-3/16"(361)- 16-9/16"(421)	3-3/4"(95)	3-5/8"(91)- 6"(151)	10-5/8"(270)

Optional Gratings			
	Suffix	Description	
	-None	1/8" (Standard)	<input type="checkbox"/>
	-HG	Hygenic-Pro	<input type="checkbox"/>
	-LG	Ladder	<input type="checkbox"/>
	-MG	Mesh	<input type="checkbox"/>
	-SG	Slot	<input type="checkbox"/>

Options		
Suffix	Description	
-316	Type 316 Stainless Steel	<input type="checkbox"/>
-B	Sediment Basket	<input type="checkbox"/>
-P	Stainless Steel P-Trap	<input type="checkbox"/>
-SB	Sand Bucket	<input type="checkbox"/>
-TPT	Trap Primer Tapping	<input type="checkbox"/>
-VP	Grate Secured w/Vandal Proof Screws	<input type="checkbox"/>
-W	Water Trap	<input type="checkbox"/>

Job Name _____ Contractor _____
 Job Location _____ Approval _____
 Engineer _____ Contractor's P.O. No. _____
 Approval _____ Representative _____



A Watts Water Technologies Company



USA: 100 Watts Road, Spindale, NC, 28160-2298; www.blucherdrains.com
Canada: 5435 North Service Rd., Burlington, ONT. L7L 5H7; www.blucherdrains.ca