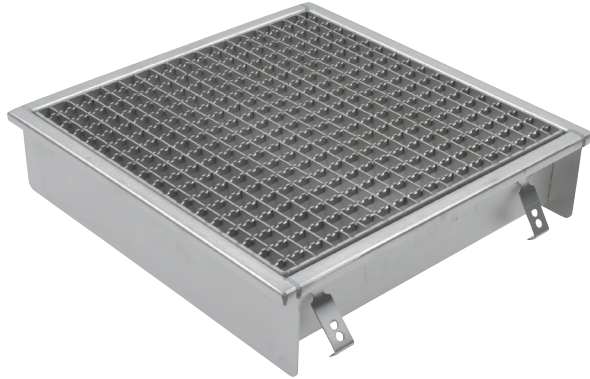


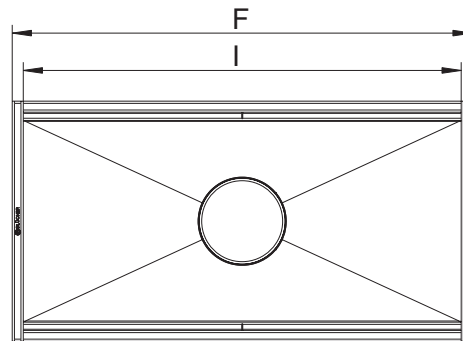
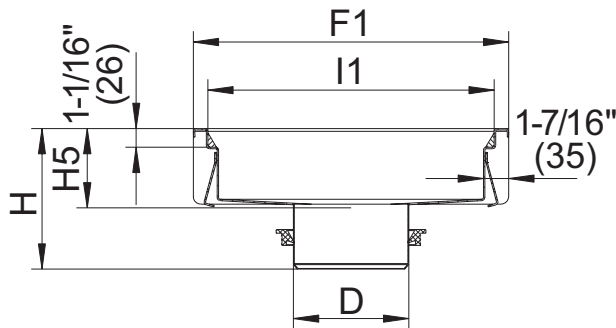
Tag: _____

SPECIFICATION: BLÜCHER BKC-100 AISI Type 304 stainless steel 16"x16"(400x400) x (specify) deep kitchen channel with 1"(25) thick mesh grating, and no hub bottom outlet.



Optional Grating:		
Suffix	Description	
-LG	Heavy Duty Ladder Grating	<input type="checkbox"/>

Options		
Suffix	Description	
-316	Type 316 Stainless Steel	<input type="checkbox"/>
-B	Sediment Basket	<input type="checkbox"/>
-E	Edge Infill	<input type="checkbox"/>
-FC	Flashing Flange & Clamp	<input type="checkbox"/>
-LD	Grate Locking Device	<input type="checkbox"/>
-P	Stainless Steel P-Trap	<input type="checkbox"/>
-SB	Sand Bucket (6"(160) Outlet Only)	<input type="checkbox"/>
-W	Water Trap	<input type="checkbox"/>



Dimensional Chart

Model No.	Pipe Size <i>D</i>	<i>F</i>	<i>F1</i>	<i>H</i>	Depth <i>H5</i>	<i>I</i>	<i>I1</i>
BKC-104-2	4"(110)	17-3/16"(437)	17-3/16"(437)	6-7/16"(163)	2-3/8"(60)	15-5/8"(397)	15-5/8"(397)
BKC-104-4	4"(110)	17-3/16"(437)	17-3/16"(437)	8-3/8"(213)	4-5/16"(110)	15-5/8"(397)	15-5/8"(397)
BKC-104-6	4"(110)	17-3/16"(437)	17-3/16"(437)	10"(253)	5-7/8"(150)	15-5/8"(397)	15-5/8"(397)
BKC-106-2	6"(160)	17-3/16"(437)	17-3/16"(437)	5-11/16"(145)	2-3/8"(60)	15-5/8"(397)	15-5/8"(397)
BKC-106-4	6"(160)	17-3/16"(437)	17-3/16"(437)	7-11/16"(195)	4-5/16"(110)	15-5/8"(397)	15-5/8"(397)
BKC-106-6	6"(160)	17-3/16"(437)	17-3/16"(437)	9-1/4"(235)	5-7/8"(150)	15-5/8"(397)	15-5/8"(397)

Job Name _____ Contractor _____

Job Location _____ Approval _____

Engineer _____ Contractor's P.O. No. _____

Approval _____ Representative _____

BLÜCHER®

A Watts Water Technologies Company



USA: 100 Watts Road, Spindale, NC, 28160-2298; www.blucherdrains.com

Canada: 5435 North Service Rd., Burlington, ONT. L7L 5H7; www.blucherdrains.ca