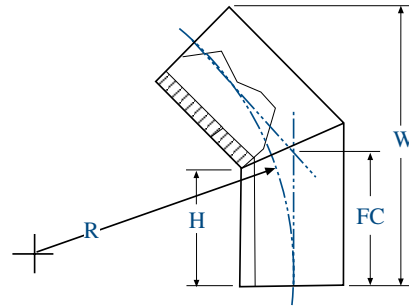


FM Fittings Fabricated 45° Ell 2-Segment – DIPS



FM Fittings Fabricated 45° Elbow - 2-Segment – DIPS

Nominal Pipe Size	Pipe OD (in)	Pressure Class	Part #	Dimensions				Weight (lbs)	Shipping Method
				R(in)	H(in)	FC(in)	W(in)		
8	9.05	200	ISFF4508D20FM2P	10.5	6.5	8.38	17.5	20	FedEx
		150	ISFF4508D15FM2P	"	"	"	"	15	"
10	11.10	200	ISFF4510D20FM2P	12.75	6.5	8.8	18.95	30	FedEx
		150	ISFF4510D15FM2P	"	"	"	"	25	"
12	13.20	200	ISFF4512D20FM2P	13.88	8.5	11.25	23.87	55	LTL
		150	ISFF4512D15FM2P	"	"	"	"	45	"
14	15.30	200	ISFF4514D20FM2P	14.88	8.5	11.67	25.25	76	LTL
		160	ISFF4514D15FM2P	"	"	"	"	62	"
16	17.40	200	ISFF4516D20FM2P	16	8.5	12.1	26.81	102	LTL
		150	ISFF4516D15FM2P	"	"	"	"	83	"
18	19.50	200	ISFF4518D20FM2P	17	8.5	12.54	28.3	133	LTL
		150	ISFF4518D15FM2P	"	"	"	"	107	"
20	21.60	200	ISFF4520D20FM2P	27.88	8.5	12.97	29.78	169	LTL
		150	ISFF4520D15FM2P	"	"	"	"	136	"
24	25.80	200	ISFF4524D20FM2P	25	8.5	13.84	32.75	263	LTL
		150	ISFF4524D15FM2P	"	"	"	"	210	"

FM PIPE  
and Fittings  
DIPS

1-800-345-ISCO

www.isco-pipe.com