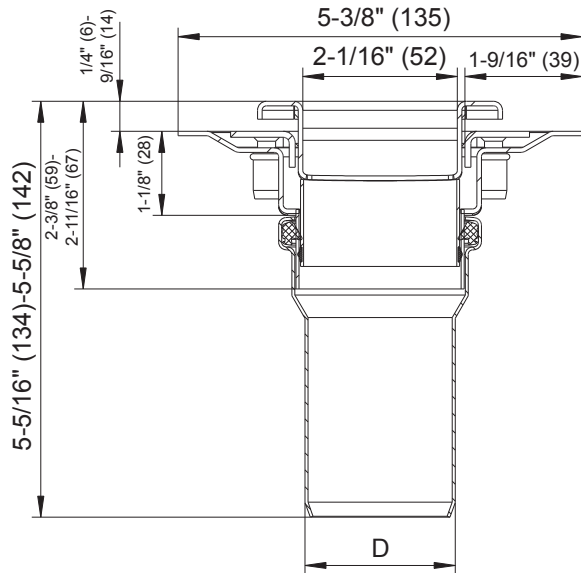



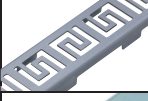




Tag: _____

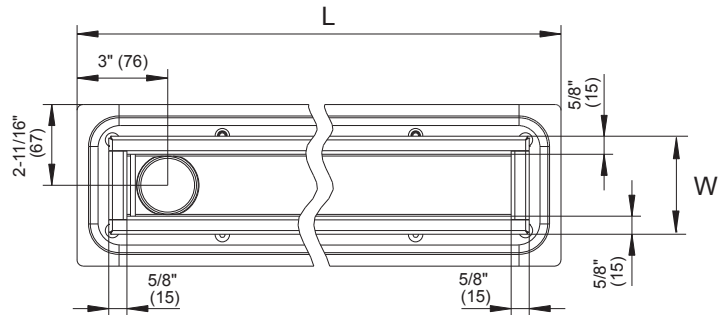
SPECIFICATION: BLÜCHER BWS-100 AISI Type 304 stainless steel 3-3/4" (82) wide x (specify) long WaterLine shower channel with membrane clamp, Vienna grating (standard), and no hub bottom outlet.



Dimensional Chart

Model	Pipe Size <i>D</i>	Top Size <i>W x L</i>
BWS-126	2" (50)	3-3/4"x26" (97x664)
BWS-130	2" (50)	3-3/4"x30" (82x764)
BWS-134	2" (50)	3-3/4"x34" (82x864)
BWS-138	2" (50)	3-3/4"x38" (82x964)

Optional Gratings			
Suffix	Description		
	-None	Vienna (Standard)	<input type="checkbox"/>
	-A	Athens	<input type="checkbox"/>
	-C	Copenhagen	<input type="checkbox"/>
	-D	Detroit	<input type="checkbox"/>
	-N	New York	<input type="checkbox"/>
	-O	Oslo	<input type="checkbox"/>



Job Name _____ Contractor _____
 Job Location _____ Approval _____
 Engineer _____ Contractor's P.O. No. _____
 Approval _____ Representative _____

