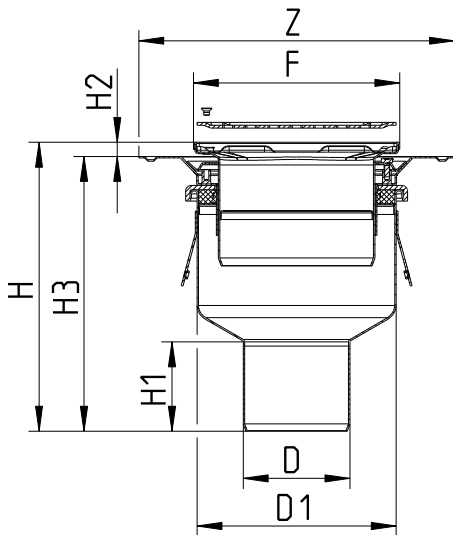

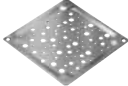


Tag: _____

SPECIFICATION: BLÜCHER BSS-300 AISI Type 304 stainless steel adjustable shower drain with 6"x6" (145x145) square top, membrane clamping flange, Vienna grating (standard), and no hub bottom outlet.



Optional Gratings			
	Suffix	Description	
	-A	Athens	<input type="checkbox"/>
	-C	Copenhagen	<input type="checkbox"/>
	-D	Detroit	<input type="checkbox"/>
	-N	New York	<input type="checkbox"/>
	-O	Oslo	<input type="checkbox"/>

Dimensional Chart

Model No.	Pipe Size <i>D</i>	<i>D1</i>	Top Size <i>F</i>	<i>Z</i>	<i>H</i> Adjustable	<i>H1</i>	<i>H2</i> Adjustable	<i>H3</i> Adjustable
BSS-302	2" (50)	5-1/2" (140)	6"x6" (145x145)	8-3/4" (222)	8-1/8" (207) - 10-1/4" (261)	2-5/16" (58)	7/16" (10) - 2" (50)	7-3/4" (197) - 8-3/8" (212)
BSS-303	3" (75)	5-1/2" (140)	6"x6" (145x145)	8-3/4" (222)	8" (203) - 10-13/16" (258)	2-1/2" (63)	7/16" (10) - 2" (50)	7-5/8" (193) - 8-3/16" (208)
BSS-304	4" (110)	5-1/2" (140)	6"x6" (145x145)	8-3/4" (222)	6-3/4" (171) - 8-7/8" (226)	3-1/8" (79)	7/16" (10) - 2" (50)	6-5/16" (161) - 6-15/16" (176)

Job Name _____ Contractor _____

Job Location _____ Approval _____

Engineer _____ Contractor's P.O. No. _____

Approval _____ Representative _____