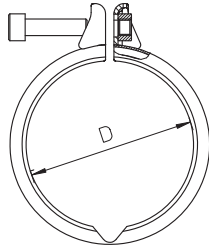


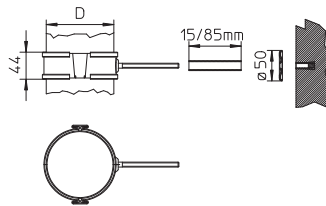
Tag: \_\_\_\_\_

**SPECIFICATION:** BLÜCHER PIPE AISI Type 316L (standard) stainless steel pipe system, with Push-Fit socket connections with EPDM (standard) sealing ring. All BLÜCHER PIPE to be treated with pickling and passivation finish process.



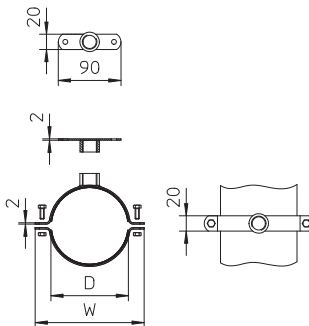
### Joint Clamp Dimensional Chart

Model No.	D
JC-2	2" (50)
JC-3	3" (75)
JC-4	4" (110)
JC-5	5" (125)
JC-6	6" (160)
JC-8	8" (200)
JC-10	10" (250)



### Pipe Hanger Dimensional Chart

Model No.	D
PH-2	2" (50)
PH-3	3" (75)
PH-4	4" (110)
PH-6	6" (160)



### 2-Piece Pipe Hanger Dimensional Chart

Model No.	D
PH2-2	2" (50)
PH2-3	3" (75)
PH2-4	4" (110)
PH2-6	6" (160)

Job Name \_\_\_\_\_ Contractor \_\_\_\_\_

Job Location \_\_\_\_\_ Approval \_\_\_\_\_

Engineer \_\_\_\_\_ Contractor's P.O. No. \_\_\_\_\_

Approval \_\_\_\_\_ Representative \_\_\_\_\_