

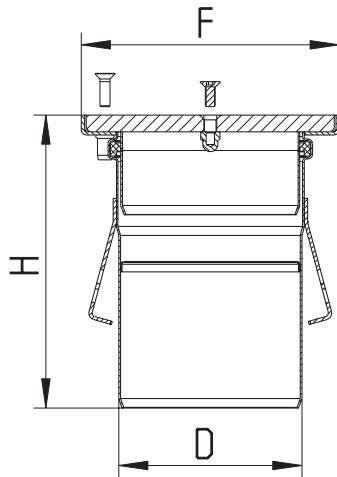
SPECIFICATION: BLÜCHER BCO-130 AISI Type 304 stainless steel floor cleanout w/heavy duty gasket seal square top for vacuum handle cover removal, and no hub pipe connection.



Options		
Suffix	Description	
-316	Type 316 Stainless Steel	<input type="checkbox"/>

Load Rating
*XHD

* The load classifications are in accordance with the American National Standards ASME A112.21.1M
ASME Ratings are as follows:
XHD - Safe Live Load 7500-10000 lbs. (3375-4500kg)
The above categories are given as a guide only.
Please consult factory.



Dimensional Chart

Model No.	Pipe Size <i>D</i>	Top Size <i>F</i>	<i>H</i> Adjustable
BCO-134	4" (110)	6-1/8" x 6-1/8" (155x155)	6-15/16" (176)
BCO-136	6" (160)	8" x 8" (200x200)	6-5/16" (160)

Job Name _____ Contractor _____
 Job Location _____ Approval _____
 Engineer _____ Contractor's P.O. No. _____
 Approval _____ Representative _____